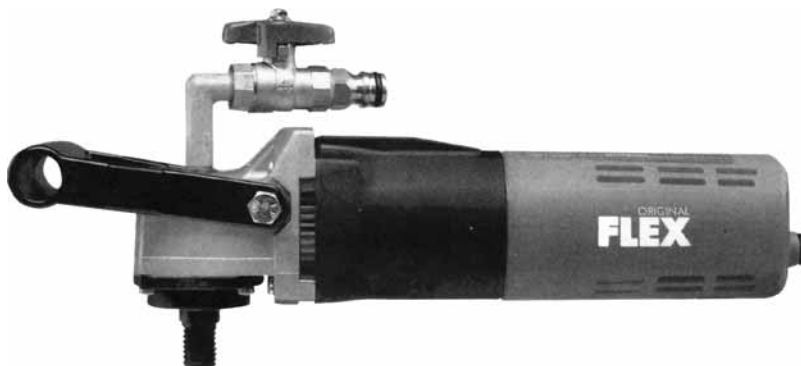


LW 1503



| | | |
|-----------|---|-----------|
| en | Instruction manual | 3 |
| fr | Notice d'utilisation | 15 |
| es | Instrucciones de funcionamiento..... | 29 |

Content

| | |
|---------------------------------------|----|
| Meanings of signal words | 3 |
| Important safety information | 3 |
| GENERAL POWER TOOL SAFETY WARNINGS | 4 |
| WET POLISHER SAFETY WARNINGS | 6 |
| Technical specification | 9 |
| Assembly | 10 |
| Operation | 10 |
| Maintenance | 13 |
| Service and repairs | 14 |
| Warranty | 14 |

Meanings of signal words



WARNING



WARNING indicates a potentially hazardous situations which, if ignored, could result in death or serious injury.



CAUTION



CAUTION indicates a potentially hazardous situations which, if not avoided, may result in minor or moderate injury, or may cause machine damage.



NOTE



NOTE emphasizes essential information.

Important safety information

Read and understand all of the safety precautions, warnings and operating instructions in the Instruction manual before operating or maintaining this power tool.

Most accidents that result from power tool operation and maintenance are caused by the failure to observe basic safety rules or precautions. An accident can often be avoided by recognizing a potentially hazardous situation before it occurs, and by observing appropriate safety procedures.

Basic safety precautions are outlined in the "SAFETY" section of this Instruction manual and in the sections which contain the operation and maintenance instructions.

Hazards that must be avoided to prevent bodily injury or machine damage are identified by WARNINGS on the power tool and in this Instruction manual.

NEVER use this power tool in a manner that has not been specifically recommended by FLEX.

Intended use

The FLEX LW 1503 wet stone polisher

- is designed for industrial applications,
- is designed for wet polishing applications,
- is intended for surface work with natural stone and concrete,
- should only be fitted with suitable accessories. These can be polishing or buffing pads and abrasive discs.

GENERAL POWER TOOL SAFETY WARNINGS



WARNING

Read all safety warnings and all instructions.

Failure to follow the warnings and instructions may result in electric shock, fire and/or serious injury.

Save all warnings and instructions for future reference.

The term “power tool” in all of the warnings listed below refers to your mains operated (corded) power tool or battery operated (cordless) power tool.

1. Work area

(a) **Keep work area clean and well lit.**

Cluttered or dark areas invite accidents.

(b) **Do not operate power tools in explosive atmospheres, such as in the presence of flammable liquids, gases or dust.** Power tools create sparks which may ignite the dust or fumes.

(c) **Keep children and bystanders away while operating a power tool.** Distractions can cause you to lose control.

2. Electrical safety

(a) **Power tool plugs must match the outlet. Never modify the plug in any way. Do not use any adapter plugs with earthed (grounded) power tools.** Unmodified plugs and matching outlets will reduce risk of electric shock.

(b) **Avoid body contact with earthed or grounded surfaces such as pipes, radiators, ranges and refrigerators.** There is an increased risk of electric shock if your body is earthed or grounded.

(c) **Do not expose power tools to rain or wet conditions.** Water entering a power tool will increase the risk of electric shock.

(d) **Do not abuse the cord. Never use the cord for carrying, pulling or unplugging the power tool. Keep cord away from heat, oil, sharp edges or moving parts.** Damaged or entangled cords increase the risk of electric shock.

(e) **When operating a power tool out-doors, use an extension cord suitable for outdoor use.** Use of a cord suitable for outdoor use reduces the risk of electric shock.

(f) **If operating a power tool in a damp location is unavoidable, use a ground fault circuit interrupter (GFCI) protected supply.** Use of an GFCI reduces the risk of electric shock.

2. Personal safety

(a) **Stay alert, watch what you are doing and use common sense when operating a power tool. Do not use a power tool while you are tired or under the influence of drugs, alcohol or medication.** A moment of inattention while operating power tools may result in serious personal injury.

(b) **Use personal protective equipment. Always wear eye protection.** Protective equipment such as dust mask, non-skid safety shoes, hard hat, or hearing protection used for appropriate conditions will reduce personal injuries.

(c) **Prevent unintentional starting. Ensure the switch is in the off position before connecting to power source and/or battery pack, picking up or carrying the tool.**

Carrying power tools with your finger on the switch or energising power tools that have the switch on invites accidents.

(d) **Remove any adjusting key or wrench before turning the power tool on.** A wrench or a key left attached to a rotating part of the power tool may result in personal injury.

(e) **Do not overreach. Keep proper footing and balance at all times.** This enables better control of the power tool in unexpected situations.

(f) Dress properly. Do not wear loose clothing or jewellery. Keep your hair, clothing and gloves away from moving parts. Loose clothes, jewellery or long hair can be caught in moving parts.

(g) If devices are provided for the connection of dust extraction and collection facilities, ensure these are connected and properly used. Use of dust collection can reduce dust related hazards.

2. Power tool use and care

(a) Do not force the power tool. Use the correct power tool for your application. The correct power tool will do the job better and safer at the rate for which it was designed.

(b) Do not use the power tool if the switch does not turn it on and off. Any power tool that cannot be controlled with the switch is dangerous and must be repaired.

(c) Disconnect the plug from the power source and/or the battery pack from the power tool before making any adjustments, changing accessories, or storing power tools. Such preventive safety measures reduce the risk of starting the power tool accidentally.

(d) Store idle power tools out of the reach of children and do not allow persons unfamiliar with the power tool or these instructions to operate the power tool. Power tools are dangerous in the hands of untrained users.

(e) Maintain power tools. Check for misalignment or binding of moving parts, breakage of parts and any other condition that may affect the power tools operation. If damaged, have the power tool repaired before use. Many accidents are caused by poorly maintained power tools.

(f) Keep cutting tools sharp and clean. Properly maintained cutting tools with sharp cutting edges are less likely to bind and are easier to control.

(g) Use the power tool, accessories and tool bits etc., in accordance with these instructions and in the manner intended for the particular type of power tool, taking into account the working conditions and the work to be performed. Use of the power tool for operations different from those intended could result in a hazardous situation.

2. Service

(a) Have your power tool serviced by a qualified repair person using only identical replacement parts. This will ensure that the safety of the power tool is maintained.

WET POLISHER SAFETY WARNINGS

1. Safety Warnings Common for Wet Polishing Operations

(a) This power tool is intended to function as a wet polisher. Read all safety warnings, instructions, illustrations and specifications provided with this power tool. Failure to follow all instructions listed below may result in electric shock, fire and/or serious injury.

(b) Operations such as grinding, sanding, wire brushing or cutting-off are not recommended to be performed with this power tool. Operations for which the power tool was not designed may create a hazard and cause personal injury.

(c) Do not use accessories which are not specifically designed and recommended by the tool manufacturer. Just because the accessory can be attached to your power tool, it does not assure safe operation.

(d) The rated speed of the accessory must be at least equal to the maximum speed marked on the power tool. Accessories running faster than their rated speed can break and fly apart.

(e) The outside diameter and the thickness of your accessory must be within the capacity rating of your power tool.

Incorrectly sized accessories can not be adequately guarded or controlled.

(f) Threaded mounting of accessories must match the grinder spindle thread. For accessories mounted by flanges, the arbour hole of the accessory must fit the locating diameter of the flange. Accessories that do not match the mounting hardware of the power tool will run out of balance, vibrate excessively and may cause loss of control.

(g) Do not use a damaged accessory. Before each use inspect the accessory such as abrasive wheels for chips and cracks, backing pad for cracks, tear or excess wear, wire brush for loose or cracked wires. If power tool or accessory is dropped, inspect for damage or install an undamaged accessory. After inspecting and installing an accessory, position yourself and bystanders away from the plane of the rotating accessory and run the power tool at maximum no-load speed for one minute. Damaged accessories will normally break apart during this test time.

(h) Wear personal protective equipment. Depending on application, use face shield, safety goggles or safety glasses.

As appropriate, wear dust mask, hearing protectors, gloves and workshop apron capable of stopping small abrasive or workpiece fragments. The eye protection must be capable of stopping flying debris generated by various operations. The dust mask or respirator must be capable of filtrating particles generated by your operation. Prolonged exposure to high intensity noise may cause hearing loss.

(i) Keep bystanders a safe distance away from work area. Anyone entering the work area must wear personal protective equipment. Fragments of workpiece or of a broken accessory may fly away and cause injury beyond immediate area of operation.

(j) Position the cord clear of the spinning accessory. If you lose control, the cord may be cut or snagged and your hand or arm may be pulled into the spinning accessory.

(k) Never lay the power tool down until the accessory has come to a complete stop. The spinning accessory may grab the surface and pull the power tool out of your control.

(l) Do not run the power tool while carrying it at your side. Accidental contact with the spinning accessory could snag your clothing, pulling the accessory into your body.

(m) Regularly clean the power tool's air vents. The motor's fan will draw the dust inside the housing and excessive accumulation of powdered metal may cause electrical hazards.

(n) Do not operate the power tool near flammable materials. Sparks could ignite these materials.

2. Kickback and Related Warnings

Kickback is a sudden reaction to a pinched or snagged rotating wheel, backing pad, brush or any other accessory. Pinching or snagging causes rapid stalling of the rotating accessory which in turn causes the uncontrolled power tool to be forced in the direction opposite of the accessory's rotation at the point of the binding.

For example, if an abrasive wheel is snagged or pinched by the workpiece, the edge of the wheel that is entering into the pinch point can dig into the surface of the material causing the wheel to climb out or kick out. The wheel may either jump toward or away from the operator, depending on direction of the wheel's movement at the point of pinching. Abrasive wheels may also break under these conditions.

Kickback is the result of power tool misuse and/or incorrect operating procedures or conditions and can be avoided by taking proper precautions as given below.

(a) Maintain a firm grip on the power tool and position your body and arm to allow you to resist kickback forces. Always use auxiliary handle, if provided, for maximum control over kickback or torque reaction during start-up. The operator can control torque reactions or kick-back forces, if proper precautions are taken.

(b) Never place your hand near the rotating accessory. Accessory may kickback over your hand.

(c) Do not position your body in the area where power tool will move if kickback occurs. Kickback will propel the tool in direction opposite to the wheel's movement at the point of snagging.

(d) Use special care when working corners, sharp edges etc. Avoid bouncing and snagging the accessory. Corners, sharp edges or bouncing have a tendency to snag the rotating accessory and cause loss of control or kickback.

(e) Do not attach a saw chain wood-carving blade or toothed saw blade. Such blades create frequent kickback and loss of control.

3. Safety Warnings Specific for Polishing Operations

(a) Do not allow any loose portion of the polishing bonnet or its attachment strings to spin freely. Tuck away or trim any loose attachment strings. Loose and spinning attachment strings can entangle your fingers or snag on the workpiece.

4. Additional warnings

(a) Some dust created by power sanding, sawing, grinding, drilling and other construction activities contains chemicals known to the State of California to cause cancer, birth defects or other reproductive harm. Some examples of these chemicals are:

- Lead from lead-based paints.
- Crystalline silica from bricks, cement, and other masonry products.
- Arsenic and chromium from chemically-treated lumber.

Your risk from these exposures varies, depending upon how often you do this type of work. To reduce your exposure to these chemicals:

- Work in a well-ventilated area.
- Work with approved safety equipment, such as dust masks that are specially designed to filter out microscopic particles.
- Avoid prolonged contact with dust from power sanding, sawing,

grinding, drilling, and other construction activities. Wear protective clothing and wash exposed areas with soap and water. Allowing dust to get into your mouth or eyes or to lie on the skin may promote absorption of harmful chemicals.

5. Definitions for symbols used on this tool



Refer to instruction manual!



Wear goggles!

- V..... volts
- ~ alternating current
- Hz hertz
- A..... amperes
- n rated speed
- n_o no load speed
- min^{-1} revolutions per minute

SAVE THESE INSTRUCTIONS AND MAKE THEM AVAILABLE TO OTHER USERS AND OWNERS OF THIS TOOL!

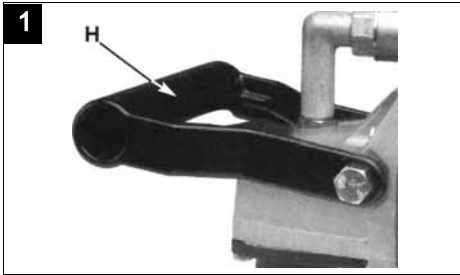
Technical specification

| Machine Type | | LW 1503 |
|-----------------------------|--------|---|
| Max. polishing tool Ø | mm | 125 |
| Tool holder | | M14 |
| Speed | r.p.m. | 4400 |
| Max. circumferential speed | m/s | 28.8 |
| Power input | W | 800 |
| Power output | W | 500 |
| Water connection | | ½" (for self-closing quick-action coupling), max. 6 bar |
| Weight (without power cord) | kg | 2.4 |
| Protection class with PRCD | | I |

Assembly

Attaching the handle

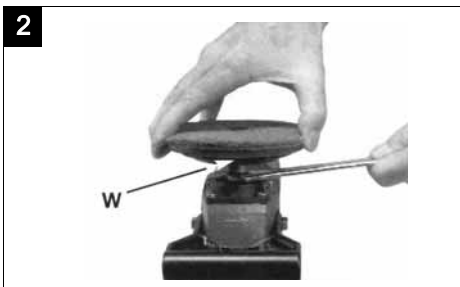
A handle (H) Fig. 1 is furnished with your tool. This handle **SHOULD BE USED AT ALL TIMES** to maintain complete control of the tool.



Install polishing wheel

CAUTION
Disconnect tool from power source.

1. Rest machine on its back with spindle facing up.
2. Position polishing wheel to spindle shaft.



3. Thread wheel to spindle shaft (W) Fig. 2, hand tight.

Operation

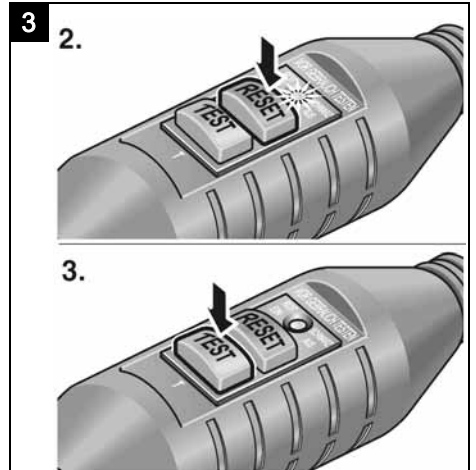
Connection to the power supply with gfci switch

DANGER
This tool is provided with a Ground Fault Circuit-Interrupter (GFCI). Never use the tool without the GFCI installed and working properly. Before using the tool **TEST** the GFCI device.

CAUTION
Make sure switch is OFF and power circuit voltage is the same as that shown on the specification plate.

Always check the machine before use:

1. Insert the mains plug into the socket.



2. Press "RESET" button. The red indicator light must come on.
3. Press "TEST" button. The PRCD switch must switch off and the indicator light go out.
4. When the "RESET" button is pressed again, it must be possible to switch on the power tool.

**DANGER**

If the GFCI switch repeatedly switches off when the machine is switched on or if the GFCI switch does not trip, immediately disconnect the machine from the power supply.

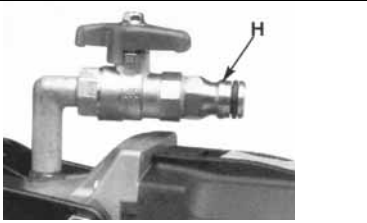
Do not continue using the machine. Have the GFCI switch replaced by customer service only.

Connecting the water**DANGER**

Keep water away from the electric power tool and from people within the operating range. Do not switch on power tools which have not been connected correctly to the water supply. Regularly check that seals, shut-off valve and connectors function correctly.

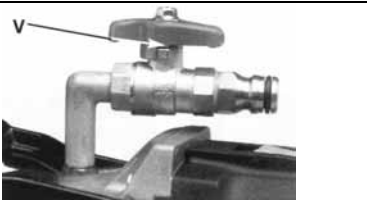
This tool is designed to be used in a wet application.

4

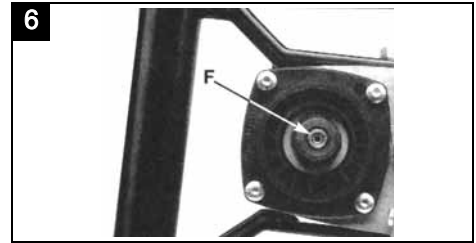


1. Connect water supply hose to fitting shown at (H) Fig. 4 and open water supply valve. Never use the tool without water flow.

5



2. The volume of water can be regulated by adjusting shut-off valve (V) Fig. 5.



Water will flow through spindle port (F) Fig. 6.

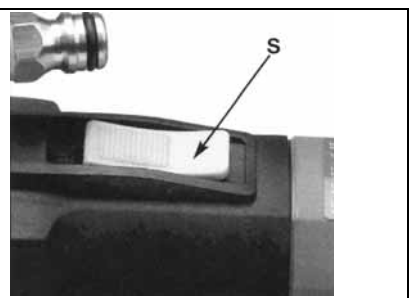
**NOTE**

Keep water flow to a minimum for the operation and direct water flow away from the tool and operator. **DO NOT** use tool in a dry grinding or sanding application. Doing so will generate heat sufficient to damage the seals of the water feed system.

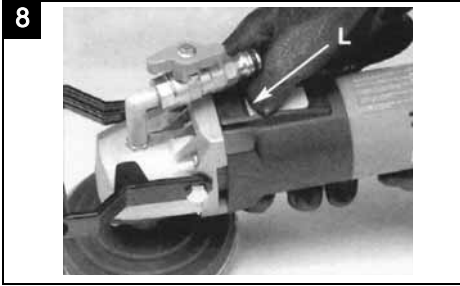
To start and stop the tool**DANGER**

Any further use or operation is not permitted under such circumstances!

7

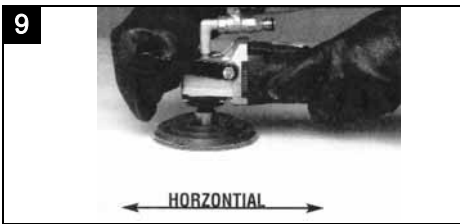


1. Slide the switch button (S), Fig. 7, forward to turn tool "ON". When released, the switch will return to the "OFF" position.



2. To lock the switch in the "ON" position: with the switch "ON", press the front end of the switch button (L) Fig. 8, in toward the tool housing. To release the switch lock, press the back end of the switch button in toward the tool housing.

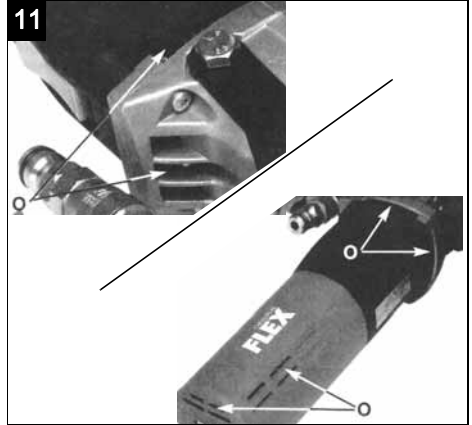
Using the power tool



When using the tool for a horizontal application, work the tool as shown in Fig. 9.



When using the tool for a vertical application, work the tool as shown in Fig. 10.



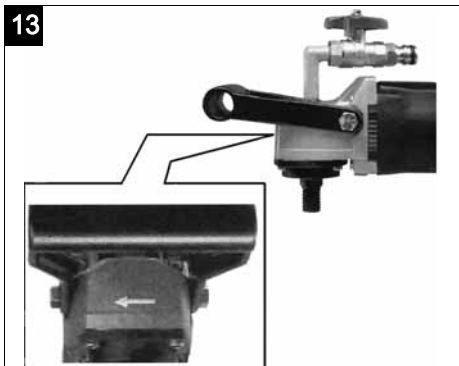
DO NOT use the tool in an excessive vertical application. Excessive vertical use can lead to water and debris entry to the motor through air intake (O) as shown in Fig. 11.

1. Attach polishing tool.
2. Connect machine to the power supply.
3. Connect the water.
4. Switch on the machine.
5. Open shut-off valve on the water connection.



6. Firmly grip the bail handle and motor housing as shown in Fig. 12.
7. Lower the tool until the polishing disc contacts the work. Use light pressure.

8. Always lift the polisher off the work before starting or stopping motor.



The arrow on the front gear housing indicates the direction in which the polishing wheel rotates.

Use only accessories that are recommended by the manufacturer. Accessories that may be suitable for one tool may become hazardous when used on another tool.

Maintenance

⚠ DANGER ⚠
Before performing any work on the electric power tool, pull out the mains plug.

i NOTE i
Use only original parts supplied by the manufacturer for replacement purposes. If non-original parts are used, the guarantee obligations of the manufacturer will be deemed null and void.

Keep tool clean

Periodically blow out all air passages with dry, compressed air. All plastic parts should be cleaned with soft damp cloth. NEVER use solvents to clean plastic parts. They could possibly dissolve or otherwise damage the material.

⚠ CAUTION ⚠
Wear safety glasses while using compressed air.

Failure to start

Should your tool fail to start, test the GFCI, and check to make sure the prongs on the cord plug are making good contact in the outlet. Also, check for blown fuses or open circuit breakers in the line.

Gear housing

The gear housing should never be loosened or opened, except by a FLEX authorized service center. Doing so will void the product warranty.

Brush inspection and lubrication

For your continued safety and electrical protection, brush inspection and replacement on this tool should ONLY be performed by an authorized service center for FLEX Power Tools.

At approximately 100 hours of use, take or send your tool to your nearest authorized service center for FLEX Power Tools to be thoroughly cleaned and inspected; worn parts replaced; and when necessary, relubricated with fresh lubricant if required; reassembled with new brushes; and performance tested.

Any loss of power before the above maintenance check may indicate the need for immediate servicing of your tool. **DO NOT CONTINUE TO OPERATE TOOL UNDER THIS CONDITION.** If proper operating voltage is present, return your tool to a FLEX authorized service center for immediate service.

Service and repairs

All quality tools will eventually require servicing or replacement of parts due to wear from normal use. These operations, including brush inspection and replacement, should **ONLY** be performed by an authorized service center for FLEX Power Tools.

To prevent injury, a damaged power cord must be replaced by the manufacturer or his customer service.

All repairs made by these agencies are fully guaranteed against defective material and workmanship. We cannot guarantee repairs made or attempted by anyone other than these agencies.

Should you have any questions about your tool, feel free to write us at any time. In any communications, please give all information shown on the nameplate of your tool (model number, type, serial number, etc.).

Warranty

FLEX North America limited one year Warranty

FLEX North America warrants its Professional Power Tools for a period of one year from the date of original purchase. We will repair or replace at our option, any part or parts of the product and accessories covered under this warranty, which, after examination, prove(s) to be defective in workmanship or material during the warranty period. For repair or replacement, return the complete tool or accessory, transportation prepaid, to your nearest Authorized Service Station. Proof of purchase may be required. This warranty does not apply to repair or replacement due to misuse, abuse, normal wear and tear or repairs attempted or made by

someone other than our Authorized Service Stations.

ANY IMPLIED WARRANTY, INCLUDING THE IMPLIED WARRANTIES OF MERCHANTABILITY AND FITNESS FOR PARTICULAR PURPOSE, WILL LAST ONLY FOR ONE (1) YEAR FROM THE DATE OF PURCHASE.

To obtain information on warranty performance, please write to:

Chervon North America, Inc.
1203 East Warrenville Road
Naperville, IL 60563 USA
Phone 1-833-353-9496
www.flexpowertools.com

THE FOREGOING OBLIGATION IS FLEX NORTH AMERICA'S SOLE LIABILITY UNDER THIS OR ANY IMPLIED WARRANTY AND UNDER NO CIRCUMSTANCES SHALL FLEX NORTH AMERICA BE LIABLE FOR ANY INCIDENTAL OR CONSEQUENTIAL DAMAGES.

Some states do not allow limitations on how long an implied warranty lasts or the exclusion or limitation of incidental or consequential damages, so the above limitation or exclusion may not apply to you.

This warranty gives you specific legal rights and you may also have other legal rights, which vary from state to state.

Sommaire

| | |
|--|----|
| Signification des termes avec symboles | 15 |
| Informations de sécurité importantes | 15 |
| AVERTISSEMENTS DE SÉCURITÉ GÉNÉRAUX POUR L'OUTIL ÉLECTRIQUE | 4 |
| INSTRUCTIONS DE SÉCURITÉ POUR LES PONCEUSES MOUILLÉE | 6 |
| DONNÉES TECHNIQUES | 22 |
| Assemblage | 23 |
| Fonctionnement | 23 |
| Maintenance | 26 |
| Service et réparations | 27 |
| Garantie | 27 |

Signification des termes avec symboles



DANGER



Un texte précédé du terme **DANGER** signale une situation potentiellement dangereuse qui, si vous n'en tenez pas compte, s'assortit d'un danger de mort ou de blessures graves.



PRUDENCE



Un texte précédé du terme **PRUDENCE** signale une situation potentiellement dangereuse qui, si vous n'en tenez pas compte, s'assortit d'un risque de blessure mineure ou modéré, ou d'endommagement de la machine.



REMARQUE



Le terme **REMARQUE** met en évidence des informations essentielles.

Informations de sécurité importantes

Avant d'utiliser ou d'entretenir cet outil électroportatif, veuillez lire et bien assimiler tous les textes sur les précautions de sécurité, les avertissements et les instructions d'utilisation énoncées dans la présente notice d'utilisation.

La plupart des accidents provoqués par des outils électroportatifs en fonctionnement et lors de leur maintenance sont causés par le fait que des règles ou précautions de sécurité de base n'ont pas été respectées. Il est souvent possible d'éviter un accident en anticipant une situation potentiellement dangereuse avant même qu'elle n'apparaisse, et en respectant les procédures de sécurité appropriées.

Les précautions de sécurité de base à prendre sont décrites au chapitre « SÉCURITÉ » de cette notice d'utilisation et aux chapitres contenant les instructions d'utilisation et de maintenance.

Les risques à éviter pour éviter des dommages corporels et d'endommager la machine sont identifiés par des **MENTIONS D'AVERTISSEMENT** sur l'outil électroportatif et dans la présente notice d'utilisation.

N'utilisez **JAMAIS** cet outil électroportatif d'une façon qui n'a pas été spécifiquement recommandée par FLEX.

Utilisation conforme

La ponceuse FLEX LW 1503 pour pierre mouillée

- A été conçue pour des applications industrielles,
- A été conçue pour les applications de ponçage mouillé,
- Est destinée aux travaux superficiels sur la pierre naturelle et le béton,
- Ne devra être équipée que d'accessoires appropriés. Il peut s'agir de tampons à lustrer ou à polir et de disques abrasifs.

AVERTISSEMENTS DE SÉCURITÉ GÉNÉRAUX POUR L'OUTIL ÉLECTRIQUE



ATTENTION !

Lire toutes les indications.

Le non-respect des instructions indiquées ci-après peut entraîner un choc électrique, un incendie et / ou de graves blessures sur les personnes.

GARDER PRÉCIEUSEMENT CES INSTRUCTIONS DE SÉCURITÉ.

La notion d'« outil électroportatif » mentionnée par la suite se rapporte à des outils électriques raccordés au secteur (avec câble de raccordement) et à des outils électriques à batterie (sans câble de raccordement).

1. Sécurité de la zone de travail

(a) Maintenez l'endroit de travail propre et bien éclairé. Un lieu de travail en désordre ou mal éclairé augmente le risque d'accidents.

(b) N'utilisez pas l'appareil dans un environnement présentant des risques d'explosion et où se trouvent des liquides, des gaz ou poussières inflammables. Les outils électroportatifs génèrent des étincelles risquant d'en-flammer les poussières ou les vapeurs.

(c) Tenez les enfants et autres personnes éloignés durant l'utilisation de l'outil électroportatif. En cas d'inattention vous risquez de perdre le contrôle sur l'appareil.

2. Sécurité électrique

(a) La fiche de secteur de l'outil électroportatif doit être appropriée à la prise de courant. Ne modifiez en aucun cas la fiche. N'utilisez pas de fiches d'adaptateur avec des appareils avec mise à la terre. Les fiches non modifiées et les prises de courant appropriées réduisent le risque de choc électrique.

(b) Évitez le contact physique avec des surfaces mises à la terre tels que tuyaux, radiateurs, fours et réfrigérateurs. Il y a un risque élevé de choc électrique au cas où votre corps serait relié à la terre.

(c) N'exposez pas l'outil électroportatif à la pluie ou à l'humidité. La pénétration d'eau dans un outil électroportatif augmente le risque d'un choc électrique.

(d) N'utilisez pas le câble à d'autres fins que celles prévues, n'utilisez pas le âble pour porter l'appareil ou pour l'accrocher ou encore pour le débrancher de la prise de courant. Maintenez le câble éloigné des sources de chaleur, des parties grasses, des bords tranchants ou des parties de l'appareil en rotation. Un câble endommagé ou torsadé augmente le risque d'un choc électrique.

(e) Au cas où vous utiliseriez l'outil électroportatif à l'extérieur, utilisez une rallonge autorisée homologuée pour les applications extérieures. L'utilisation d'une rallonge électrique homologuée pour les applications extérieures réduit le risque d'un choc électrique.

2. Sécurité des personnes

(a) Restez vigilant, surveillez ce que vous faites. Faites preuve de bon en utilisant l'outil électroportatif. N'utilisez pas l'appareil lorsque vous êtes fatigué ou après avoir consommé de l'alcool, des drogues ou avoir pris des médicaments. Un moment d'inattention lors de l'utilisation de l'appareil peut entraîner de graves blessures pour les personnes.

(b) Utilisez des équipements de sécurité personnelle. Portez toujours une protection oculaire. Le port d'équipements de sécurité tels que des masques anti-poussières, des chaussures de sécurité antidérapantes, des casques de chantier et des protecteurs d'oreilles dans des conditions appropriées réduira le risque de blessure corporelle.

(c) Évitez une mise en service par mégarde. Assurez-vous que l'interrupteur est effectivement en position d'arrêt avant de retirer la fiche de la prise de courant. Le fait de porter l'appareil avec le doigt sur l'interrupteur ou de brancher l'appareil sur la source de courant lorsque l'interrupteur est en position de fonctionnement, peut entraîner des accidents.

(d) Enlevez tout outil de réglage ou toute clé avant de mettre l'appareil en fonctionnement. Une clé ou un outil se trouvant sur une partie en rotation peut causer des blessures.

(e) Ne surestimez pas vos capacités. Veillez à garder toujours une position stable et équilibrée. Ceci vous permet de mieux contrôler l'appareil dans des situations inattendues.

(f) Portez des vêtements appropriés. Ne portez pas de vêtements amples ni de bijoux. Maintenez cheveux, vêtements et gants éloignés des parties de l'appareil en rotation. Des vêtements amples, des bijoux ou des cheveux longs peuvent être happés par des pièces en mouvement.

(g) Si des dispositifs servant à aspirer ou à recueillir les poussières doivent être utilisés, vérifiez que ceux-ci soient effectivement raccordés et qu'ils sont correctement utilisés. L'utilisation de tels dispositifs réduit les dangers dus aux poussières.

4. Utilisation et entretien de l'outil électrique

(a) Ne surchargez pas l'appareil. Utilisez l'outil électroportatif approprié au travail à effectuer. Avec l'outil électroportatif approprié, vous travaillerez mieux et avec plus de sécurité à la vitesse pour laquelle il est prévu.

(b) N'utilisez pas un outil électroportatif dont l'interrupteur est défectueux. Un outil électroportatif qui ne peut plus être mis en ou hors fonctionnement est dangereux et doit être réparé.

(c) Retirez la fiche de la prise de courant avant d'effectuer des réglages sur l'appareil, de changer les accessoires, ou de ranger l'appareil. Cette mesure de précaution empêche une mise en fonctionnement par mégarde.

(d) Gardez les outils électroportatifs non utilisés hors de portée des enfants. Ne permettez pas l'utilisation de l'appareil à des personnes qui ne se sont pas familiarisées avec celui-ci ou qui n'ont pas lu ces instructions. Les outils électroportatifs sont dangereux lorsqu'ils sont utilisés par des personnes non initiées.

(e) Prenez soin des outils électroportatifs. Vérifiez que les parties en mouvement fonctionnent correctement et qu'elles ne soient pas coincées, et contrôlez si des parties sont cassées ou endommagées de telle sorte que le bon fonctionnement de l'appareil s'en trouve entravé. Faites réparer les parties endommagées avant d'utiliser l'appareil. De nombreux accidents sont dus à des outils électroportatifs mal entretenus.

(f) Maintenez les outils de coupe aiguisés et propres. Des outils soigneusement entretenus avec des bords tranchants bien aiguisés se coincent moins souvent et peuvent être guidés plus facilement.

(g) Utilisez les outils électroportatifs, les accessoires, les outils à monter etc. conformément à ces instructions et aux prescriptions en vigueur pour ce type d'appareil. Tenez compte également des conditions de travail et du travail à effectuer. L'utilisation des outils électroportatifs à d'autres fins que celles prévues peut entraîner des situations dangereuses.

5. Service

(a) Faire entretenir l'outil par un réparateur qualifié utilisant uniquement des pièces de rechange identiques.

Cela assurera que la sécurité de l'outil est maintenue.

INSTRUCTIONS DE SÉCURITÉ POUR LES PONCEUSES MOUILLÉE

1. Avertissements de sécurité communs pour les opérations de ponçage mouillée

(a) Cet outil électrique est destiné à fonctionner comme ponceuse mouillée.

Lire toutes les mises en garde de sécurité, les instructions, les illustrations et les spécifications fournies avec cet outil électrique. Le fait de ne pas suivre toutes les instructions données ci-dessous peut provoquer un choc électrique, un incendie et/ou une blessure grave.

(b) Les opérations de meulage, de broissage métallique, de lustrage ou de tronçonnage ne sont pas recommandées avec cet outil électrique. Les opérations pour lesquelles l'outil électrique n'a pas été conçu peuvent provoquer un danger et causer un accident corporel.

(c) Ne pas utiliser d'accessoires non conçus spécifiquement et recommandés par le fabricant d'outils. Le simple fait que l'accessoire puisse être fixé à votre outil électrique ne garantit pas un fonctionnement en toute sécurité.

(d) La vitesse assignée de l'accessoire doit être au moins égale à la vitesse maximale indiquée sur l'outil électrique. Les accessoires fonctionnant plus vite que leur vitesse assignée peuvent se rompre et voler en éclat.

(e) Le diamètre extérieur et l'épaisseur de votre accessoire doivent se situer dans le cadre des caractéristiques de capacité de votre outil électrique. Les accessoires dimensionnés de façon incorrecte ne peuvent pas être protégés ou commandés de manière appropriée.

(f) Le montage fileté d'accessoires doit être adapté au filet de l'arbre de la meuleuse. Pour les accessoires montés avec des flasques, l'alésage central de l'accessoire doit s'adapter correctement au diamètre du flasque. Les accessoires qui ne correspondent pas aux éléments de montage de l'outil électrique seront en déséquilibre, vibreront de manière

excessive et pourront provoquer une perte de contrôle.

(g) Ne pas utiliser d'accessoire endommagé. Avant chaque utilisation examiner les accessoires comme les meules abrasives pour détecter la présence éventuelle de copeaux et fissures, les patins d'appui pour détecter des traces éventuelles de fissures, de déchirure ou d'usure excessive, ainsi que les brosses métalliques pour détecter des fils desserrés ou fissurés. Si l'outil électrique ou l'accessoire a subi une chute, examiner les dommages éventuels ou installer un accessoire non endommagé. Après examen et installation d'un accessoire, placez-vous ainsi que les personnes présentes à distance du plan de l'accessoire rotatif et faire marcher l'outil électrique à vitesse maximale à vide pendant 1 min. Les accessoires endommagés seront normalement détruits pendant cette période d'essai.

(h) Porter un équipement de protection individuelle. En fonction de l'application, utiliser un écran facial, des lunettes de sécurité ou des verres de sécurité. Le cas échéant, utiliser un masque antipoussières, des protections audi-tives, des gants et un tablier capables d'arrêter les petits fragments abrasifs ou des pièces à usiner. La protection oculaire doit être capable d'arrêter les débris volants produits par les diverses opérations. Le masque antipoussières ou le respirateur doit être capable de filtrer les particules produites par vos travaux. L'exposition prolongée aux bruits de forte intensité peut provoquer une perte de l'audition.

(i) Maintenir les personnes présentes à une distance de sécurité par rapport à la zone de travail. Toute personne entrant dans la zone de travail doit porter un équipement de protection individuelle. Des fragments de pièce à usiner ou d'un accessoire cassé peuvent être projetés et provoquer des blessures en dehors de la zone immédiate d'opération.

(j) Placer le câble éloigné de l'accessoire de rotation. Si vous perdez le contrôle, le câble peut être coupé ou subir un accroch et votre main ou votre bras peut être tiré dans l'accessoire de rotation.

(k) Ne jamais reposer l'outil électrique avant que l'accessoire n'ait atteint un arrêt complet. L'accessoire de rotation peut agripper la surface et arracher l'outil électrique hors de votre contrôle.

(l) Ne pas faire fonctionner l'outil électrique en le portant sur le côté. Un contact accidentel avec l'accessoire de rotation pourrait accrocher vos vêtements et attirer l'accessoire sur vous.

(m) Nettoyer régulièrement les orifices d'aération de l'outil électrique.

Le ventilateur du moteur attirera la poussière à l'intérieur du boîtier et une accumulation excessive de poudre de métal peut provoquer des dangers électriques.

(n) Ne pas faire fonctionner l'outil électrique à proximité de matériaux inflammables.

Des étincelles pourraient enflammer ces matériaux.

2. Rebonds et mises en garde correspondantes

Le rebond est une réaction soudaine au pincement ou à l'accrochage d'une meule rotative, d'un patin d'appui, d'une brosse ou de tout autre accessoire. Le pincement ou l'accrochage provoque un blocage rapide de l'accessoire en rotation qui, à son tour, contraint l'outil électrique hors de contrôle dans le sens opposé de rotation de l'accessoire au point du grippage.

Par exemple, si une meule abrasive est accrochée ou pincée par la pièce à usiner, le bord de la meule qui entre dans le point de pincement peut creuser la surface du matériau, provoquant des sauts ou l'expulsion de la meule. La meule peut sauter en direction de l'opérateur ou encore en s'en éloignant, selon le sens du mouvement de la meule au point de pincement. Les meules

abrasives peuvent également se rompre dans ces conditions.

Le rebond résulte d'un mauvais usage de l'outil et/ou de procédures ou de conditions de fonctionnement incorrectes et peut être évité en prenant les précautions appropriées spécifiées ci-dessous.

(a) Maintenir fermement l'outil électrique et placer votre corps et vos bras pour vous permettre de résister aux forces de rebond. Toujours utiliser une poignée auxiliaire, le cas échéant, pour une maîtrise maximale du rebond ou de la réaction de couple au cours du démar-rage. L'opérateur peut maîtriser les couples de réaction ou les forces de rebond, si les précautions qui s'imposent sont prises.

(b) Ne jamais placer votre main à proximité de l'accessoire en rotation. L'accessoire peut effectuer un rebond sur votre main.

(c) Ne pas vous placer dans la zone où l'outil électrique se déplacera en cas de rebond. Le rebond pousse l'outil dans le sens opposé au mouvement de la meule au point d'accrochage.

(d) Apporter un soin particulier lors de travaux dans les coins, les arêtes vives etc. Éviter les rebondissements et les accrochages de l'accessoire. Les coins, les arêtes vives ou les rebondissements ont tendance à accrocher l'accessoire en rotation et à provoquer une perte de contrôle ou un rebond.

(e) Ne pas fixer de chaîne coupante, de lame de sculpture sur bois, de chaîne coupante ni de lame de scie dentée. De telles lames provoquent des rebonds fréquents et des pertes de contrôle.

3. Mises en garde de sécurité spécifiques aux opérations de lustrage

(a) Ne permettre à aucune partie lâche du bonnet de lustrage ou de ses fils de fixation de tourner librement. Cacher ou tailler tous les fils de fixation lâches Les fils de fixation lâches et en rotation peuvent s'enchevêtrer sur vos doigts ou s'accrocher sur la pièce à usiner.

4. Autres consignes de sécurité

(a) La poussière créée pendant le ponçage, le sciage, le polissage, le perçage et d'autres activités mécaniques liées à la construction peut contenir des produits chimiques reconnus par l'État de la Californie comme étant la cause de cancer, d'anomalies congénitales et d'autres problèmes liés aux fonctions reproductrices. Voici des exemples de ces produits chimiques :

- du plomb provenant de peintures à base de plomb;
- de la silice cristalline provenant de la brique, du ciment ou d'autres matériaux de maçonnerie;
- de l'arsenic et du chrome provenant du bois d'œuvre traité avec un produit chimique.

Les risques liés à l'exposition à ces produits varient selon le nombre de fois où vous pratiquez ces activités. Pour réduire votre exposition à ces produits chimiques :

- travaillez dans un endroit bien ventilé;
- munissez-vous de l'équipement de sécurité approuvé tel que des masques antipoussières conçus spécialement pour filtrer les particules microscopiques;
- évitez l'exposition prolongée à la poussière causée par le ponçage mécanique, le sciage, le polissage, le perçage et d'autres activités liées

à la construction; Portez un équipement de protection et lavez à l'eau et au savon toutes les parties exposées. Les poussières pénétrant dans votre bouche ou dans vos yeux et les poussières se déposant sur votre peau peuvent causer l'absorption de produits chimiques dangereux.

5. Définitions des symboles apposés sur cet outil



Se référer au manuel d'instruction !



Portez des lunettes de protection !

V volts

~ courant alternatif

Hz hertz

A ampères

n vitesse nominale

n_0 vitesse à vide

min^{-1} nombre de tours par minute

CONSERVEZ CES INSTRUCTIONS ET COMMUNIQUEZ-LES À D'AUTRES UTILISATEURS ET PROPRIÉTAIRES DE L'OUTIL !

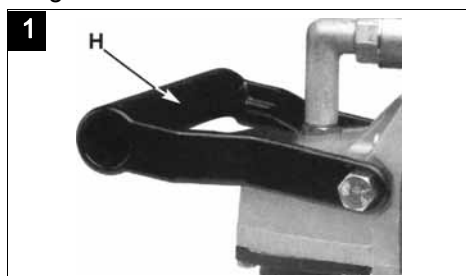
Données techniques

| Type d'appareil | | LW 1503 |
|---------------------------------------|-------------------|--|
| Diamètre max. du disque | mm | 125 |
| Diamètre de la broche | | M14 |
| Vitesse | min ⁻¹ | 4400 |
| Max. circumferential speed | m/s | 28,8 |
| Puissance absorbée | W | 800 |
| Puissance débitée | W | 500 |
| Raccord à eau | | ½" (pour raccord rapide à ouverture/fermeture automatique), max. 6 bar |
| Poids (sans le câble de raccordement) | kg | 2,4 |
| Classe de protection avec PRCD | | I |

Assemblage

Fixation de la poignée

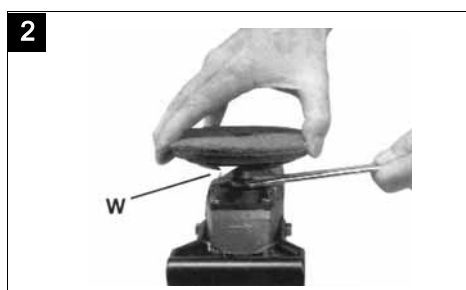
Une poignée (H), fig. 1, a été livrée d'origine avec votre outil. Il FAUDRA UTILISER CETTE POIGNÉE EN PERMANENCE pour conserver intégralement le contrôle de l'outil.



Installer la roue de polissage

PRUDENCE
Débranchez l'appareil de la source de courant.

1. Posez la machine sur le dos, la broche tournée vers le haut.
2. Positionnez la roue de polissage sur la queue de la broche.



3. Vissez et serrez, à la main seulement, la roue sur la queue de l'arbre (W), voir fig. 2

Fonctionnement

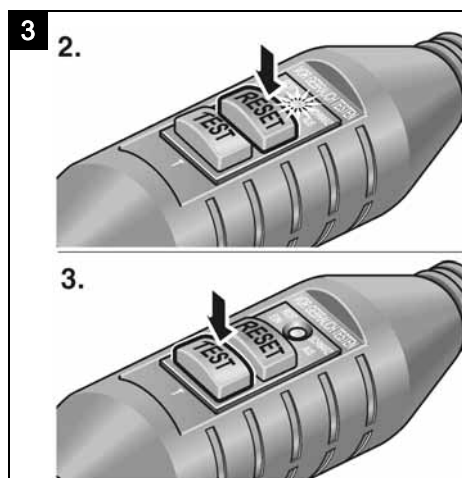
Démarrage et arrêt de l'outil

DANGER
Cet outil est équipé d'un disjoncteur différentiel (GFCI). N'utilisez jamais l'outil sans le disjoncteur différentiel en place et fonctionnant correctement. Avant d'utiliser l'outil, testez ce disjoncteur.

PRUDENCE
Assurez-vous que l'interrupteur se trouve sur OFF et que la tension du secteur est la même que celle figurant sur la plaque signalétique.

Vérification du disjoncteur PRCD avant chaque utilisation:

1. Raccordez l'outil à la source de courant.



2. Actionnez la touche « RESET ». Le voyant de contrôle rouge doit s'allumer.
3. Actionnez la touche « TEST ». Le disjoncteur PRCD doit disjoncter et le voyant de contrôle s'éteindre.

4. Après avoir actionné à nouveau la touche « RESET », la machine doit se laisser rallumer.

⚠ DANGER ⚠

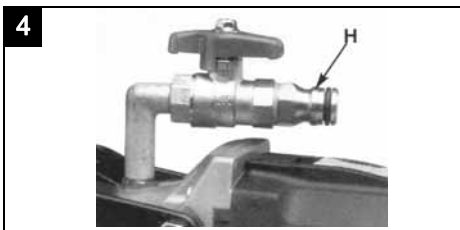
Si au moment de rallumer la machine le disjoncteur PRCD disjoncte ré-
pétitivement ou s'il ne disjoncte pas,
débranchez immédiatement la machine
du secteur. Il est interdit d'en poursuivre
l'exploitation. Confiez le remplacement
du disjoncteur PRCD au un Centre
agréé du service après-vente FLEX.

Réaliser le raccordement à l'eau

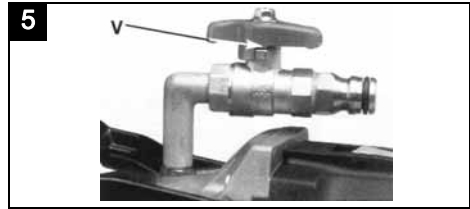
⚠ DANGER ⚠

Veillez à ce que l'eau n'entre pas en
contact avec l'outil électroportatif et
avec les personnes situées dans la
zone de travail. Ne mettez en service
que des appareils correctement reliés
à l'alimentation en eau. Vérifiez régu-
lièrement que si les joints, le robinet de
fermeture et les raccords de branche-
ment fonctionnent correctement.

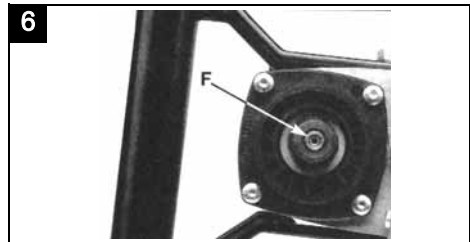
Cet outil a été conçu pour servir dans
une application impliquant de l'eau.



1. Raccordez le flexible d'alimentation
en eau au raccord (H) de la figure 4
puis ouvrez le robinet d'arrivée
d'eau. N'utilisez jamais l'appareil
sans eau.



2. Pour régler le débit de l'eau, il est
possible d'ajuster le robinet de
fermeture (V) (fig. 5).



L'eau coule par l'orifice (F) ménagé dans
la broche (fig. 6).

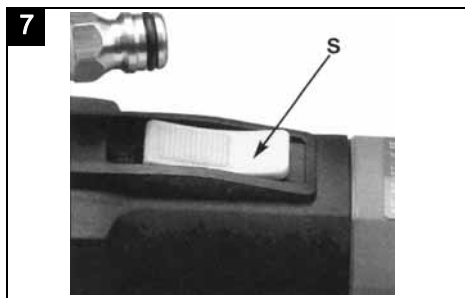
i REMARQUE i

Réduisez la coulée de l'eau au mini-
mum pendant le fonctionnement de
l'appareil, et veillez à ce que l'eau
s'éloigne de l'outil et de l'opérateur en
coulant. N'UTILISEZ PAS l'outil dans
une application de meulage ou de
sablage à sec. Si vous le faites,
la chaleur dégagée suffirait à endom-
mager les joints du système
d'alimentation en eau.

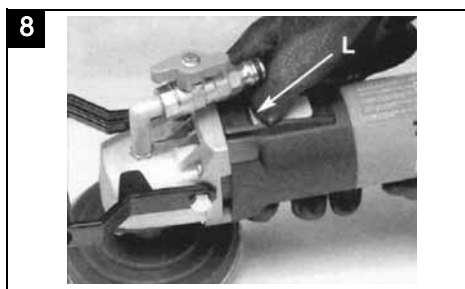
Enclenchement et coupure

⚠ DANGER ⚠

Dans de telles circonstances, toute
poursuite de l'utilisation ou du
fonctionnement n'est pas permise !



1. Poussez le bouton curseur (S) en avant (fig. 7) pour allumer l'outil. Lorsque vous relâchez le bouton curseur, il revient tout seul en position éteinte.



2. Pour verrouiller le bouton curseur sur la position allumée : amenez-le d'abord en position allumée puis poussez sur son extrémité frontale (L) (fig. 8) en direction du carter de l'outil. Pour le déverrouiller, appuyez sur l'extrémité arrière du bouton en direction du carter d'outil.

Utilisation d'un dispositif de polissage de la pierre mouillée



DANGER



9



HORIZONTAL

Lorsque vous utilisez l'outil dans une application horizontale, tenez-le comme le montre la figure 9.

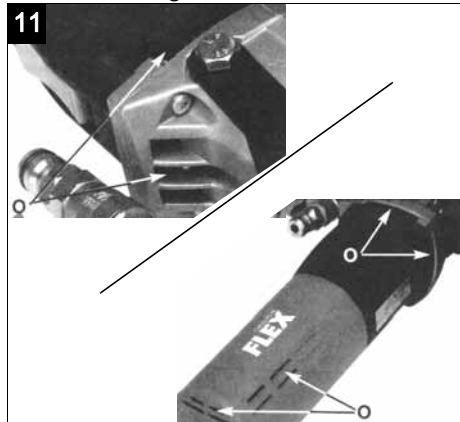
10



VERTICAL

Lorsque vous utilisez l'outil dans une application verticale, tenez-le comme le montre la figure 10.

11

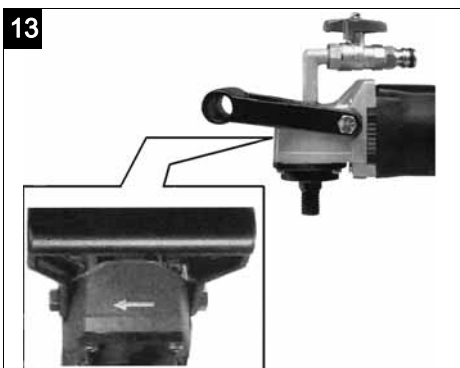


N'UTILISEZ PAS l'outil excessivement dans des applications verticales. Une utilisation excessive à la verticale peut faire que de l'eau ou des débris pénètrent dans le moteur par les orifices d'admission d'air (O) illustrés par la figure 11.

1. Fixez l'outil électroportatif.
2. Raccordez l'appareil à l'alimentation électrique.
3. Réalisez le raccordement à l'eau.
4. Allumez l'outil électroportatif.
5. Ouvrez le robinet équipant le point de branchement de l'eau.



6. Saisissez fermement la poignée étrier et le carter du moteur comme le montre la figure 12.
7. Abaissez l'outil jusqu'à ce que le disque de polissage soit en contact avec la surface à traiter. N'exercez qu'une pression légère.
8. Avant de faire démarrer le moteur et de l'arrêter, soulevez toujours la ponceuse.



La flèche sur le carter du réducteur à l'avant indique la direction dans laquelle la roue de polissage tourne.

Utilisez seulement des accessoires recommandés par le fabricant. Les accessoires adaptés à un outil précis peuvent devenir dangereux lorsque montés sur un autre outil.

Maintenance

⚠ DANGER ⚠

Avant d'effectuer tous travaux sur l'outil électroportatif, débranchez la fiche mâle de la prise de courant.

i REMARQUE i

Ne remplacez ces balais que par des pièces d'origine fournies par le fabricant. En cas d'emploi de pièces d'autres marques, le fabricant déclinera toute obligation au titre du recours en garantie.

Maintenez l'appareil propre

Nettoyez régulièrement toutes les ouïes de ventilation avec de l'air comprimé sec. Il faudrait nettoyer toutes les pièces en plastique avec un chiffon doux humidifié. N'utilisez JAMAIS de solvants pour nettoyer les pièces en plastique. Elles pourraient dissoudre ou endommager de toute autre façon le matériau.

⚠ PRUDENCE ⚠

Portez des lunettes enveloppantes lorsque vous nettoyez à l'air comprimé.

L'appareil ne démarre pas

Si votre outil refuse de démarrer, testez le disjoncteur différentiel (GFCI) et vérifiez que les broches de la fiche mâle sont bien en contact avec les bornes de la prise femelle. Vérifiez également si, sur la ligne du secteur, des fusibles ont grillé ou des disjoncteurs disjoncté.

Carter du réducteur

Il ne faut jamais détacher ou ouvrir le carter du réducteur. Cette opération est réservée à un Centre agréé du service après-vente FLEX. Si vous le faites, le bénéfice de la garantie est perdu.

Vérification des balais de charbon et lubrification

Pour assurer votre sécurité et votre protection permanentes contre le risque d'électrocution, la vérification des balais de charbon et leur remplacement, sur cet outil, devraient être accomplis **UNIQUEMENT** par un Centre agréé du service après-vente FLEX pour outils électroportatifs. Au bout d'environ 100 heures d'utilisation, amenez votre outil à un tel centre ou envoyez le lui pour qu'il soit soigneusement nettoyé et inspecté, pour remplacer les pièces usées et, si nécessaire, pour les lubrifier à nouveau avec du lubrifiant neuf, pour le doter de nouveaux balais et le soumettre à un test de performances.

Toute perte de puissance avant le contrôle de maintenance susmentionné peut être l'indice que votre outil a immédiatement besoin d'une séance de maintenance. **DANS CES CONDITIONS, NE CONTINUEZ PAS D'UTILISER L'OUTIL.** Si le secteur offre la tension correcte, renvoyez votre outil à un Centre agréé du service après-vente FLEX pour maintenance immédiate.

Service et réparations

Tous les outils de qualité requièrent éventuellement des opérations de maintenance ou le remplacement de pièce du fait de l'usure occasionnée par une utilisation normale. Ces opérations, y compris la vérification des balais et leur remplacement, devraient être effectuées **UNIQUEMENT** par un Centre agréé du service après-vente FLEX. Afin d'écartier

tout danger, seul le fabricant ou son service après-vente est habilité à remplacer un cordon de branchement endommagé.

Toutes les réparations accomplies par ces centres sont entièrement garanties contre les vices de matière et de main-d'œuvre. Nous déclinons la garantie de réparations accomplies ou tentées par toute personne non membre de ces centres.

Si vous souhaitez demander des précisions au sujet de votre outil, n'hésitez pas à nous écrire quand bon vous semble. Dans toute communication, veuillez mentionner toutes les indications figurant sur la plaque signalétique de votre outil (numéro du modèle, type, numéro de série, etc.).

Garantie

La garantie restreinte d'un an FLEX North America

FLEX North America garantit ses outils à usage industriel pour professionnels pour une période d'un an à compter de la date d'achat initiale. Nous réservons le droit de réparer ou de remplacer toute pièce ou pièces du produit et des accessoires couvert(s) par cette garantie, laquelle/lesquel(le)s, après avoir été examiné(es), s'avèrent être défectueux(SES) du(ES) à des vices de matériau ou de fabrication durant la période de la garantie. Pour une réparation ou un remplacement, veuillez retourner l'outil ou l'accessoire complet, transport payé d'avance, à votre poste de service autorisé le plus près. Une preuve d'achat pourrait être requise.

Cette garantie ne s'applique pas à la réparation ou au remplacement dus à une utilisation inappropriée ou abusive, l'usure normale ou des réparations / tentatives de réparations effectuées par quiconque autre que nos postes de service autorisés.

TOUTE GARANTIE IMPLICITE, INCLUANT LES GARANTIES IMPLICITES DE QUALITÉ MARCHANDE ET D'ÉTAT INDIQUÉ POUR UNE UTILISATION SPÉCIFIQUE, NE S'APPLIQUERA QUE POUR UN (1) AN À PARTIR DE LA DATE D'ACHAT. Pour obtenir des renseignements portant sur la garantie de performance, veuillez écrire au :

Chervon North America, Inc.
1203 East Warrenville Road
Naperville, IL 60563 USA
Phone 1-833-353-9496
www.flexpowertools.com

LE SUS-DIT DÉCRIT L'ENTIÈRE RESPONSABILITÉ DE FLEX NORTH AMERICA SOUS CETTE GARANTIE OU TOUTE GARANTIE IMPLICITE ; DE PLUS, EN AUCUN TEMPS FLEX NORTH AMERICA NE SERA TENU POUR RESPONSABLE POUR TOUTE PERTE OU DOMMAGE ACCESSOIRES OU CONSÉQUENTS QUELLE QU'EN SOIT LEUR NATURE.

Certains états ne permettent pas des restrictions à la durée d'une garantie implicite ou à l'exclusion ou la restriction des dommages accessoires ou conséquents ; par conséquent, l'exclusion ou les limites ci-dessus ne pourraient pas vous être applicables. Cette garantie vous confère des droits légaux spécifiques et vous pourriez aussi avoir d'autres droits légaux, qui varient d'un état à l'autre.

Índice

| | |
|--|----|
| Significado de términos de advertencia | 29 |
| Informaciones importantes de seguridad | 29 |
| INDICACIONES GENERALES DE SEGURIDAD PARA HERRAMIENTAS ELÉCTRICAS | 4 |
| Instrucciones de seguridad para pulidoras de disco húmedo | 6 |
| Datos técnicos | 36 |
| Montaje | 37 |
| Funcionamiento | 37 |
| Mantenimiento | 40 |
| Servicio y reparaciones | 41 |
| Garantía | 41 |

Significado de términos de advertencia



PELIGRO



DANGER indica una situación posiblemente peligrosa que puede causar la muerte o lesiones serias en caso de ignorarla.



CUIDADO



CUIDADO indica una situación potencialmente peligrosa que puede causar lesiones leves o menores o bien daños en la máquinas, en caso de incumplimiento.



NOTA



NOTA enfatiza informaciones esenciales.

Informaciones importantes de seguridad

Lea y entienda todas las medidas de precaución, de seguridad, advertencias e instrucciones de funcionamiento antes de poner en marcha esta herramienta eléctrica.

La mayoría de los accidentes resultantes del uso o el mantenimiento de herramientas eléctricas, son causados por el incumplimiento en la observación de las reglas básicas de seguridad o precauciones. Muchas veces puede evitarse un accidente, reconociendo de antemano una situación potencialmente peligrosa y observando las medidas de seguridad apropiadas.

Las precauciones básicas de seguridad se detallan en la sección "SEGURIDAD" contenida en estas instrucciones de funcionamiento y en la sección que contiene las instrucciones de mantenimiento.

Los peligros que deben evitarse a fin de evitar lesiones o daños en la máquina, se marcan a través de ADVERTENCIAS sobre la herramienta eléctrica y en estas instrucciones de funcionamiento.

NUNCA utilice esta herramienta eléctrica de alguna manera que FLEX no haya recomendada específicamente.

Uso recomendado

La pulidora de disco húmedo FLEX LW 1503 fue diseñada

- para el uso industrial,
- para aplicaciones de pulido húmedo,
- para el trabajo en superficies de piedra y cemento,
- para ser usada exclusivamente con accesorios autorizados. Estos pueden ser almohadillas de pulido o discos abrasivos.

INDICACIONES GENERALES DE SEGURIDAD PARA HERRAMIENTAS ELÉCTRICAS



ADVERTENCIA

Lea y entienda todas las instrucciones.

El incumplimiento de de cualquiera de las instrucciones detalladas abajo, puede ser causa de descargas eléctricas, incendios y/o lesiones graves.

Conserve estas instrucciones para futuras consultas.

El término «herramienta eléctrica» empleado en las siguientes instrucciones se refiere a su aparato eléctrico portátil, ya sea con cable de red o, sin cable, en caso de ser accionado por acumulador.

1. Zona de trabajo

(a) **Mantenga la zona de trabajo limpia y bien iluminada.** Zonas desordenadas y oscuras favorecen los accidentes.

(b) **No utilice herramientas eléctricas en zonas con peligro de explosión o en presencia de líquidos, gases o polvos inflamables.** Las herramientas eléctricas generan chispas que pueden causar la ignición de los gases o vapores.

(c) **Mantenga niños y espectadores alejados mientras se trabaja con herramientas eléctricas.** Las distracciones pueden causar la pérdida del control sobre la situación.

1. Seguridad eléctrica

(a) **Los enchufes de las herramientas eléctricas deben corresponder a los tomacorrientes utilizados. Nunca modifique el enchufe de modo alguno.** No utilice adaptadores en combinación con herramientas eléctricas con puesta a tierra. Los enchufes libres de modificaciones y los tomacorrientes adecuados reducen el peligro de descargas eléctricas.

(b) **Evite el contacto del cuerpo con superficies conectadas a tierra como tuberías, radiadores, cocinas o refrigeradores.** Existe un peligro mayor de descargas eléctricas si su cuerpo está en contacto con el potencial de tierra.

(c) **No exponga las herramientas eléctricas a la lluvia o a ambientes húmedos.** El agua que penetra en las herramientas eléctricas aumenta el peligro de descargas eléctricas.

(d) **Trate el cable con cuidado. Nunca utilice el cable para transportar, tirar, o desenchufar la herramienta eléctrica. Mantenga el cable alejado del calor, aceite, bordes filosos, o partes móviles.** Cables dañados o arrollados aumentan el peligro de descargas eléctricas.

(e) **Si utiliza una herramienta o eléctrica a la intemperie, utilice un cable de prolongación adecuado a ese medio.** El uso de un cable adecuado a la intemperie reduce el peligro de descargas eléctricas.

3. Seguridad personal

(a) **Esté alerta, observe su actividad y utilice el sentido común mientras opera una herramienta eléctrica. No utilice una herramienta eléctrica mientras está cansado, bajo la influencia de drogas, alcohol o medicamentos.** Un momento de falta de atención, puede ser causa de lesiones graves.

(b) **Utilice equipo de protección personal. Use siempre protección de los ojos.**

El equipo de protección, como por ejemplo una máscara antipolvo, calzado de seguridad antideslizante, casco o protección de la audición, utilizado para las condiciones apropiadas, reducirá las lesiones corporales.

(c) Evite arranques involuntarios. Asegure que el conmutador se encuentre en la posición de apagado antes de enchufar la máquina. Llevar el dedo sobre el conmutador de encendido o enchufar la herramienta mientras está encendida, aumenta el peligro de accidentes.

(d) Quite toda llave de ajuste antes de poner la herramienta eléctrica en marcha. Una llave que ha quedado sujeta a una parte rotativa de la herramienta eléctrica puede causar daños personales.

(e) No se extralimite. Conserve un buen apoyo y balance en todo momento. Esto permite un control mejor de la herramienta eléctrica en situaciones inesperadas.

(f) Vista adecuadamente. No vista prendas joyas sueltas. Mantenga alejadas de las partes rotativas el cabello, la vestimenta y los guantes. Las prendas o joyas sueltas, o el cabello largo pueden ser tomadas por las partes rotativas.

(g) Si se han provisto dispositivos para la conexión de un extractor de polvos y dispositivos de colección, asegúrese que éstos estén correctamente conectados y usados adecuadamente. El uso de estos dispositivos, puede disminuir peligros debidos al polvo.

4. Uso y cuidado de la herramienta eléctrica

(a) No exija demasiado de su herramienta eléctrica. Use la herramienta adecuada a su aplicación. La herramienta eléctrica adecuada, efectuará la tarea mejor y con mayor seguridad si trabaja con las características para las cuales ha sido diseñada.

(b) No utilice la herramienta eléctrica si el conmutador no la enciende y apaga correctamente. Toda herramienta eléctrica que no puede controlarse mediante el conmutador es peligrosa y debe reparársela.

(c) Desconecte el enchufe del tomacorrientes antes de efectuar cualquier ajuste, cambiar accesorios o de guardar la herramienta eléctrica. Estas medidas de precaución evitan que la herramienta arranque involuntariamente.

(d) Almacene herramientas eléctricas que no se usen fuera del alcance de los niños, evitando también, que personas que desconozcan la herramienta y estas instrucciones hagan uso de la misma. Las herramientas eléctricas son peligrosas, cuando se encuentran en manos inexpertas.

(e) Efectúe el mantenimiento correspondiente de las herramientas eléctricas. Controle la existencia de partes deformadas o uniones sueltas, piezas rotas u otros problemas que puedan afectar el correcto funcionamiento de la herramienta. Si existieran daños, haga arreglar la herramienta eléctrica antes de usarla. Muchos accidentes surgen por la falta de mantenimiento.

(f) Mantenga las herramientas cortantes afiladas y limpias. Herramientas cortantes adecuadamente afiladas son más fáciles de controlar.

(g) Utilice las herramientas eléctricas, accesorios, piezas adicionales, etc. de acuerdo con estas instrucciones y de la manera que se entiende para la herramienta eléctrica específica, teniendo en cuenta las condiciones de trabajo y la tarea a realizar. El uso de herramientas eléctricas con tareas para las cuales no han sido diseñadas, puede ser la causa de situaciones peligrosas.

5. Servicio

(a) Únicamente haga reparar su herramienta eléctrica por un profesional, empleando exclusivamente piezas de repuesto originales. Solamente así se mantiene la seguridad de la herramienta eléctrica.

INSTRUCCIONES DE SEGURIDAD PARA PULIDORAS DE DISCO HÚMEDO

1. Indicaciones de seguridad comunes para el pulido

(a) Esta herramienta eléctrica está destinada a ser utilizada para aplicaciones de pulido húmedo. Tener en cuenta todas las advertencias de seguridad, instrucciones, representaciones y datos que se entregan conjuntamente con este equipo. En caso de ignorar estas advertencias, se corre peligro de descargas eléctricas, incendios y/o lesiones graves.

(b) Esta herramienta no es adecuada para el amolado, el amolado con papel de lija, el trabajo con cepillos de acero o el tronzado. Usos para los cuales es inadecuado el equipo eléctrico, pueden causar peligros y lesiones.

(c) Utilizar exclusivamente accesorios que hayan sido aprobadas específicamente por el fabricante, para su uso con esta herramienta eléctrica. El solo hecho de poder sujetar el accesorio en la herramienta eléctrica, no garantiza que su uso presente la seguridad necesaria.

(d) La velocidad de giro de la herramienta utilizada debe ser como mínimo del valor que aquella indicada en el equipo eléctrico. Accesorios que giran a velocidades superiores que las permitidas, pueden destrozarse, haciendo volar los trozos por los alrededores.

(e) Las dimensiones externas y el espesor de la herramienta utilizada debe corresponder a las medidas indicadas en el equipo eléctrico. Herramientas de aplicación mal dimensionadas, no pueden protegerse o controlarse de modo suficiente.

(f) Los útiles de fijación a rosca deberán ajustarse exactamente en la rosca del husillo. En los útiles de fijación por brida su diámetro de encaje deberá ser compatible con el de alojamiento en la brida. Los útiles que no vayan fijados exactamente sobre la herramienta eléctrica giran descentrados, vibran mucho, y pueden hacerle perder el control sobre el aparato.

(g) No utilizar accesorios dañados. Antes de cada uso, controlar las herramientas a aplicar como los discos amoladores, a fin de determinar astillados, grietas, determinando también fisuras en los platos amoladores, el desgaste y en los cepillos de acero, la existencia de alambres sueltos o quebrados. Si la herramienta eléctrica o bien la herramienta de aplicación caen al suelo, controlar si se ha dañado o bien utilizar una herramienta sin daños. Una vez controlada y colocada la herramienta de aplicación, mantenerse a sí mismo y a otras personas fuera del plano de rotación, dejando el equipo en marcha durante un minuto a su velocidad máxima. Herramientas dañadas generalmente se destrozan en este tiempo.

(h) Usar equipo de protección personal. Utilice protección facial integral, protección para los ojos o gafas protectoras según la aplicación. Si hiciera falta, utilice una máscara contra el polvo, protección para el oído, guantes de protección, calzado especial o un delantal que mantenga alejadas de su persona las pequeñas partículas producto del amolado. Los ojos deben estar protegidos contra cuerpos extraños que puedan producirse durante las diversas aplicaciones. La máscara contra el polvo o para la respiración debe filtrar el polvo que se genera durante el amolado. Si se está expuesto a ruidos fuertes durante un tiempo prolongado, puede producirse la pérdida de la audición.

(i) Cuidar que otras personas en su cercanía se encuentren fuera de su zona de trabajo. Toda persona que acceda a la zona de trabajo debe estar provista con el equipamiento de protección adecuado. Pueden volar trozos de la pieza en proceso o de la herramienta destrozada, produciendo lesiones en zonas aún externas a la zona de trabajo.

(j) Sujetar el equipo de las superficies aisladas correspondientes cuando la herramienta de aplicación puede incidir en conductores eléctricos ocultos o cables pertenecientes a la red eléctrica.

El contacto con conductores bajo tensión puede aplicar esta tensión también a las partes metálicas del equipo, produciendo una descarga eléctrica.

(k) Mantener el cable de alimentación alejado de partes de la herramienta que se encuentren en movimiento. Si se pierde el control sobre el equipo, puede cortarse o ser tomado el cable de alimentación de red, entrando la mano o el brazo en contacto con la herramienta que está girando.

(l) Nunca asentar la herramienta eléctrica antes que la herramienta de aplicación se haya parado completamente.

La herramienta de aplicación puede entrar en contacto con la superficie de asiento, lo que lleva a la pérdida de control sobre el equipo.

(m) No dejar la herramienta eléctrica en marcha mientras se la lleva de un sitio a otro. La indumentaria del operador puede entrar casualmente en contacto con la herramienta de aplicación, penetrando la herramienta de aplicación en el cuerpo del mismo.

(n) Limpiar con regularidad las rendijas de ventilación de la herramienta eléctrica.

El ventilador del motor aspira polvo hacia el interior de la carcasa y una cantidad suficiente de polvo metálico dentro de ésta, puede ser causa de peligros de descargas eléctricas.

(o) No utilizar la herramienta eléctrica en la cercanía de sustancias inflamables. Las chispas pueden producir la ignición de estas sustancias.

2. Retroceso y medidas de seguridad correspondientes

El contragolpe es una reacción repentina debida a que una herramienta de aplicación se traba o bloquea, como puede ocurrir con un disco amolador, un plato amolador, un cepillo de acero, etc..

Un bloqueo conduce a un paro repentino de la herramienta de aplicación que se encuentra en rotación. Esto causa la aceleración descontrolada del equipo eléctrico en el punto de bloqueo, en sentido de giro opuesto a aquél de la herramienta. Si por ejemplo un disco amolador se traba o bloquea en la pieza a procesar, puede quebrarse un trozo del disco amolador que está penetrando en la pieza a procesar o bien producir un contragolpe.

El disco amolador se mueve entonces en dirección al operario o alejándose de él, según el sentido de giro del disco en el punto de bloqueo. Esto también puede ser causa para que el disco amolador se quiebre.

Un contragolpe es la consecuencia de un uso incorrecto o deficiente de la herramienta eléctrica. Puede evitarse mediante medidas preventivas, según se describe a continuación.

(a) Sujetar firmemente la herramienta eléctrica y ubicar el cuerpo y los brazos en una posición que permita contrarrestar los contragolpes. En caso de existir, utilizar siempre la manija adicional a fin de disponer del mayor control en caso de contragolpes o momentos de reacción durante el arranque. El operario puede dominar las fuerzas de contragolpe o reacción, mediante las medidas de precaución adecuadas.

(b) Nunca acercar la mano a la herramienta de aplicación en movimiento giratorio.

La herramienta puede moverse sobre su mano en caso de un contra-golpe.

(c) Evite penetrar con el cuerpo en la zona donde el equipo eléctrico eventualmente se mueve durante un retroceso.

El contragolpe impulsa la herramienta eléctrica en sentido opuesto al movimiento del disco amolador en el punto de bloqueo.

(d) Trabaje con especial precaución en la cercanía de esquinas, cantos filosos, etc. Evite que la herramienta rebote de la pieza en proceso y se trabé. La herramienta de aplicación en movimiento de giro, tiende a trabarse en las esquinas, bordes agudos o cuando rebota de la pieza en proceso. Esto causa la pérdida de control o bien un contragolpe.

(e) No utilizar hojas de cadenas o de sierra. Herramientas de aplicación de este tipo, muchas veces causan contragolpes o la pérdida de control.

3. Indicaciones de seguridad especiales para el pulido

(a) No admitir piezas sueltas de la cubierta de pulido, especialmente hilos de sujeción. Almacenamiento o cortado de los hilos de sujeción. Hilos de sujeción sueltos que acompañan el movimiento de giro, pueden enrollarse en los dedos o bien en la pieza a procesar.

4. Otras indicaciones de seguridad

(a) Parte del polvo causado por el lijado eléctrico, el serruchado, la trituración, el taladro y otras actividades de construcción contiene sustancias químicas que, según el estado de California, causan cáncer, defectos congénitos u otros daños reproductivos. Algunos ejemplos de estos productos químicos son:

- Plomo de pinturas a base de plomo.
- Sílice cristalina de ladrillos, cemento y otros productos de mampostería.
- Arsénico y cromo de madera tratada con químicos.

El riesgo que corre debido a la exposición a estos químicos varía según la frecuencia con que realiza este tipo de trabajo. Para reducir la exposición a estas sustancias químicas:

- Trabaje en un área bien ventilada.
- Trabaje con equipo de seguridad aprobado, como las mascarillas antipolvo especialmente diseñadas para filtrar partículas microscópicas.
- Evite estar en contacto prolongado con el polvo provocado por el lijado, el aserrado, la trituración y el taladrado, y otras actividades de construcción. Use ropa protectora y lave todas las áreas expuestas del cuerpo con agua y jabón. Si permite que el polvo llegue a su boca o a sus ojos, o que caiga sobre la piel, podría fomentar la absorción de productos químicos dañinos.

5. Definición de símbolos utilizados sobre esta herramienta



¡Leer las instrucciones antes de poner en funcionamiento el equipo!



¡Utilizar protección para la vista!

V volts

~ corriente alterna

Hz herz

A amperes

n velocidad nominal

n_0 velocidad sin carga

min^{-1} revoluciones por minuto

¡GUARDE ESTAS INSTRUCCIONES Y PÓNGALAS A DISPOSICIÓN DE OTROS USUARIOS Y PROPIETARIOS DE ESTA HERRAMIENTA!

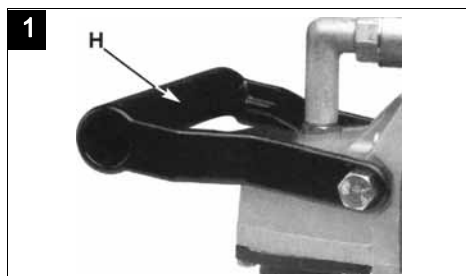
Datos técnicos

| Tipo de equipo | | LW 1503 |
|---------------------------------|-------------------|--|
| Diámetro máx. del disco | mm | 125 |
| Diámetro del husillo | | M14 |
| Número de revoluciones | min ⁻¹ | 4400 |
| Max. circumferential speed | m/s | 28,8 |
| Consumo de energía | W | 800 |
| Potencia entregada | W | 500 |
| Conexión para el agua | | ½" (para un acoplamiento rápido de bloqueo automático), max. 6 bar |
| Peso (sin el cable de conexión) | kg | 2,4 |
| Tipo de protección con PRCD | | I |

Montaje

Montaje de la manija

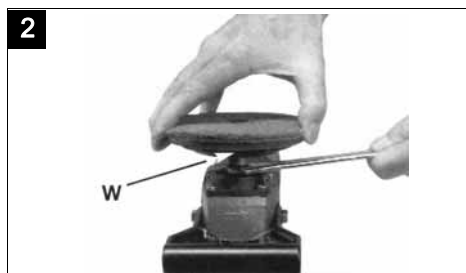
Se entrega una manija (H) mostrada en la fig. 1 conjuntamente con su herramienta. Esta manija DEBE USARSE EN TODO MOMENTO a fin de mantener siempre el control sobre la herramienta.



Instalación del disco de pulido

⚠ CUIDADO ⚠
Desconecte la herramienta de la fuente de alimentación.

1. Asiente la máquina sobre su parte posterior, con el husillo hacia arriba.
2. Coloque el disco de pulido en el husillo.



3. Coloque el disco de pulido en el eje del husillo (w) ajustándolo a mano.

Funcionamiento

Conexión a la alimentación de corriente



PELIGRO



Esta herramienta se entrega con un disyuntor diferencial. Nunca utilice la herramienta sin que el disyuntor diferencial esté instalado y que funcione correctamente. Antes de usar la herramienta, efectúe un CONTROL del disyuntor diferencial.



CUIDADO

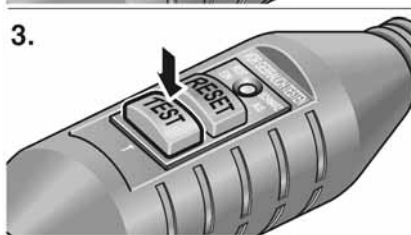
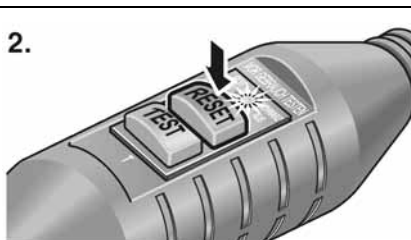


Asegúrese que el conmutador esté APAGADO y que el voltaje del circuito de alimentación coincida con aquél especificado en la chapa de características.

Control anterior a cada puesta en marcha:

1. Conectar el enchufe de red.

3



2. Accionar el pulsador "RESET". Debe encenderse la luz roja de control.

3. Accionar el pulsador "TEST". Debe activarse el conmutador GFCI y apagarse la luz de control.
4. Si se acciona el pulsador "RESET", permitiendo la puesta en marcha posterior de la herramienta.

⚠ PELIGRO ⚠

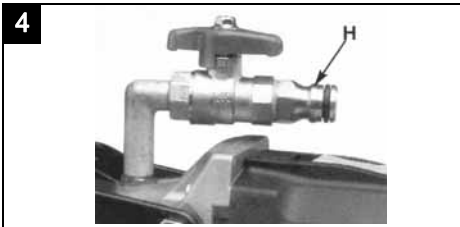
Si el conmutador PRCD se activa repetidamente al poner en marcha la máquina o bien si dicho conmutador no para la máquina al activarse, desconectar la máquina inmediatamente de la red. No está permitido seguir usando la máquina. Hacer cambiar el conmutador PRCD exclusivamente por personal debidamente especializado o bien por el servicio a clientes.

Efectuar la conexión de agua

⚠ PELIGRO ⚠

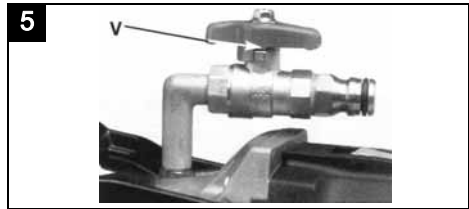
Mantener alejada el agua de la herramienta eléctrica y de las personas en el ambiente de trabajo. Poner en marcha a los equipos exclusivamente si fueron debidamente conectados a la alimentación de agua. Controlar regularmente las juntas, el grifo y las piezas de conexión, a fin de determinar su correcto funcionamiento.

La herramienta está diseñada para su uso en trabajos con humedad.

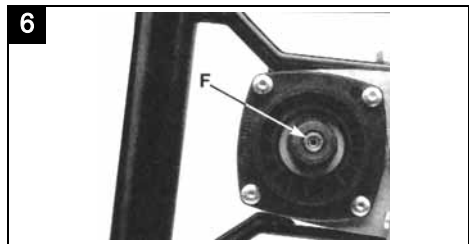


1. Conecte una manguera de alimentación de agua según se muestra en (H) de la fig. 4 y abra el grifo de

alimentación de agua. Nunca utilice la herramienta sin que corra el agua.



2. El caudal de agua puede ajustarse mediante el grifo de alimentación (V) mostrado en la fig. 5.



El agua correrá a través del husillo (F) de la fig. 6.

i NOTA i

Mantenga el flujo de agua en un mínimo necesario para garantizar un buen trabajo y no dirija el chorro hacia la herramienta o el operario. NO utilice la herramienta en amolados en seco o trabajos con arenas. El calor generado es suficiente para dañar las juntas del sistema de agua.

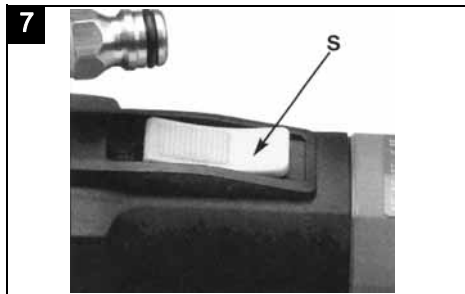
Encendido a pagado



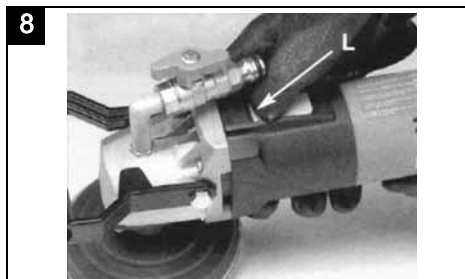
PELIGRO



¡No se permite el uso ulterior bajo esta condiciones!



1. Deslice el conmutador (S) de la fig. 7 hacia adelante para "ENCENDER" la herramienta. El conmutador regresará a la posición de 'OFF' cuando lo suelte.



2. Si desea que el conmutador permanezca en la posición de 'ENCENDIDO', presione la parte anterior del conmutador (L) en la fig. 8 en dirección a la carcasa de la herramienta. Para destrabar el conmutador, presiones la parte posterior del mismo en dirección a la carcasa de la herramienta.

Uso de un disco de pulido húmedo



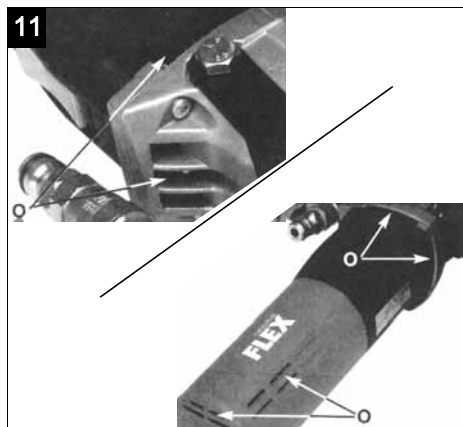
PELIGRO



Si utiliza la herramienta en aplicaciones horizontales, trabaje según se indica en la fig. 9.

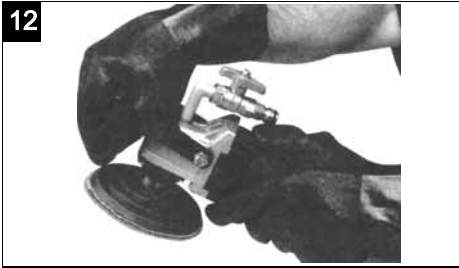


Si utiliza la herramienta en aplicaciones verticales, trabaje según se indica en la fig. 10.

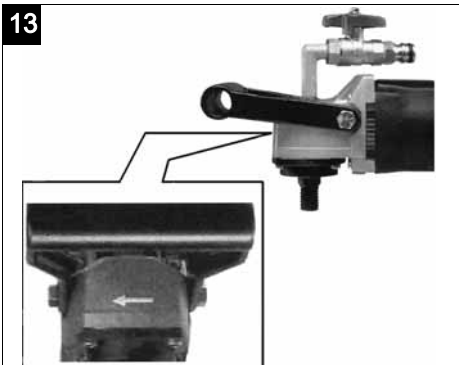


NO utilice la herramienta en aplicaciones excesivamente verticales. Existe el peligro que el agua y los escombros penetren en el motor a través de la entrada de aire (O) según se muestra en la fig. 11.

1. Sujetar la herramienta.
2. Conectar el equipo a la alimentación de corriente
3. Efectuar la conexión de agua.
4. Adaptar la velocidad de giro a la tarea a ejecutar
5. Encender el equipo.



6. Sujete la manija y la carcasa del motor firmemente según se muestra en la fig. 12.
7. Haga descender la herramienta hasta que el disco de pulido haga contacto con la pieza a procesar. Aplique una presión ligera.
8. Quite siempre la pulidora de la pieza antes de encender o parar el motor.



La flecha sobre la parte anterior de la carcasa del engranaje indica la dirección en la cual gira el disco.

Use exclusivamente accesorios recomendados por el fabricante. Accesorios adecuados para una herramienta determinada, pueden ser peligrosos utilizados en otra.

Mantenimiento



PELIGRO

Antes de efectuar cualquier trabajo en el equipo eléctrico, desconectar el enchufe de red.



NOTA

Utilizar únicamente repuestos legítimos del fabricante. En caso de uso de productos de terceros, expira la garantía del fabricante.

Mantenga limpia la herramienta

Sople periódicamente todos los accesos con aire comprimido seco. Todas las partes de plástico deben limpiarse con un paño suave y húmedo.

NUNCA utilice solventes para la limpieza de partes de material plástico. Pueden disolver o dañar las piezas de otra forma.



CUIDADO

Utilice gafas de protección cuando trabaja con aire comprimido.

Fallo en el arranque

Si su herramienta falla en el arranque, controle el disyuntor diferencial y asegúrese que las clavijas del enchufe hagan contacto en el tomacorrientes. Igualmente puede controlar los fusibles o interruptores existentes en la línea de alimentación.

Carcasa del engranaje

La carcasa del engranaje nunca se debe aflojar ni abrir. Exclusivamente los servicios autorizados de FLEX pueden

abrir esta carcasa. De este modo se conserva la garantía del producto.

Inspección de escobillas y lubricación

Para la continuidad en su seguridad y protección en cuanto a la parte eléctrica, la inspección y el reemplazo de las escobillas debe efectuarla exclusivamente un centro de servicio autorizado por FLEX.

Después de aproximadamente 100 horas de uso, lleve o envíe su herramienta a un centro de servicio de FLEX Power Tools a fin de que se lo limpie y revise detalladamente, se reemplacen partes desgastadas y se la lubrique si así hiciera falta, volviendo a armarla controlando su correcto funcionamiento.

Cualquier pérdida de potencia que se note antes del plazo de mantenimiento mencionado, indica que se le debe practicar un servicio de forma inmediata. **NO SIGA USANDO LA HERRAMIENTA BAJO ESTAS CONDICIONES.**

Si el problema subsiste a pesar que la tensión aplicada es correcta, debe enviar su herramienta inmediatamente a un centro de servicio de FLEX.

Servicio y reparaciones

Todas las herramientas de calidad, eventualmente necesitan el reemplazo de algunas partes debido a su uso normal. Estas actividades incluyendo la inspección y el reemplazo de las escobillas, deben efectuarlas EXCLUSIVAMENTE los centros de servicio autorizados de FLEX Power Tools.

Con objeto de evitar posibles situaciones de peligro, la sustitución del cable de conexión del aparato sólo podrá ser realizada por personal técnico del fabricante o de su Servicio Técnico.

Todas las reparaciones efectuadas por estas agencias, poseen una garantía

total respecto de fallas de material y de mano de obra. No podemos garantizar reparaciones efectuadas o intentadas por cualquier otra agencia.

Si usted tiene dudas respecto de su herramienta, no dude en escribirnos en cualquier momento.

En todo contacto que establezca con nosotros, incluya siempre toda la información contenida en la chapa de características de su herramienta (número de modelo, tipo, número de serie, etc.).

Garantía

Póliza de garantía limitada de 1 año de flex

La Compañía de FLEX garantiza sus herramientas mecánicas profesionales por un período de 1 año a partir de la fecha de compra. FLEX reparará o reemplazará – según nuestra opción – cualquier parte o partes de la herramienta o de los accesorios protegidos bajo esta garantía que, después de examinarlos, demuestren cualquier defecto en los materiales o mano de obra durante el período de la garantía. Para reparación o reemplazo, devuelva la herramienta o accesorio completo, cubriendo el precio de transporte, al Centro de Servicio de FLEX o a la Estación de Servicio Autorizado más cercana. Puede ser que requiera prueba de compra.

Esta garantía no incluye la reparación o reemplazo en caso de mal uso, abuso o desgaste normal de la herramienta así como reparaciones efectuados o atentadas por otros medios que no sean de los Centros de Servicio de FLEX o las Estaciones de Servicio Autorizado por FLEX. **CUALQUIER GARANTÍA IMPLICITA, INCLUSO LAS GARANTÍAS DE**

**COMERCIALIZACIÓN Y APTITUD
PARA PROPÓSITOS ESPECIALES
O PARTICULARES, DURARÁN POR
SÓLO UN (1) AÑO A PARTIR DE
LA FECHA DE COMPRA.**

Para obtener información de la garantía de desempeño haga el favor de escribir a:

Chervon North America, Inc.
1203 East Warrenville Road
Naperville, IL 60563 USA
Phone 1-833-353-9496
www.flexpowertools.com

**LA OBLIGACIÓN ANTERIORMENTE
MENCIONADA ES LA ÚNICA RES-
PONSABILIDAD DE FLEX BAJO
ESTA O CUALQUIER GARANTÍA
IMPLICADA. FLEX DE NINGUNA
MANERA SERÁ RESPONSABLE POR
NINGÚN DAÑO INCIDENTAL
O CONSECUENTE.**

Algunos estados no permiten limitaciones de tiempo de garantías implicadas ni la exclusión o la limitación de daños incidentales o consecuentes, así que puede que la limitación o la exclusión no le aplique a usted.

Esta garantía le da a usted unos derechos legales específicos. Puede ser que usted tenga también otros derechos legales los cuales varían de un estado a otro.

Flex-Elektrowerkzeuge GmbH
Bahnhofstr. 15
D-71711 Steinheim/Murr

Tel. +49(0) 7144 828-0
Fax +49(0) 7144 25899

info@flex-tools.com
www.flex-tools.com

Chervon North America, Inc.
1203 East Warrenville Road
Naperville, IL 60563 USA

Phone 1-833-353-9496
www.flexpowertools.com
