



## VERSA to EXISTING DRAIN.

-Use VERSA to clamp the vinyl pan liner.

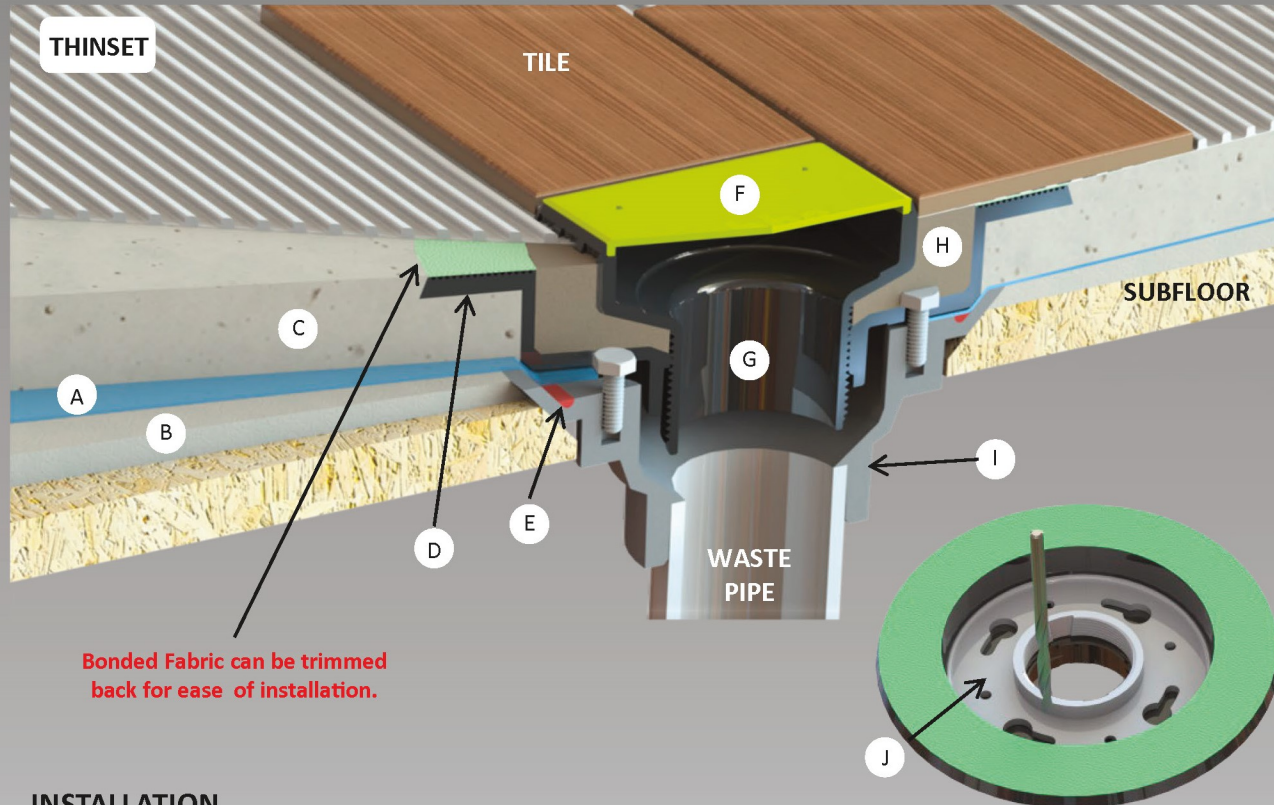
-Use VERSA as transition to surface waterproofing.



### VERSA-ABS KIT (E4026)

### VERSA-PVC KIT (E4028)

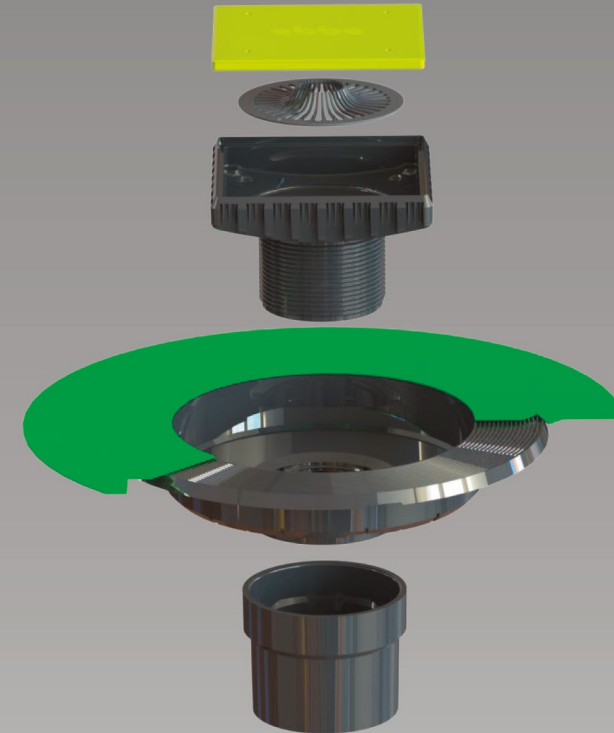
- VERSA comes complete with the EBBE Square Riser, Hair Trap, Construction Plug, Drain Hub, and Drain Base with bonded waterproof fabric.
- Combine VERSA with the Ebbe Subfloor Lowering Kit for a barrier free / ADA shower, laundry, or utility room.
- Complete your installation with one of our PRO or UNIQUE Drain Covers. Multiple styles and finishes are available from your local distributor or quick shipment from [ebbe-america.com](http://ebbe-america.com).



#### INSTALLATION

- Use the clamping flange(J) from the existing drain as a template to accurately drill holes through the VERSA Drain Body. The VERSA(D) will replace the clamping flange.
- Install pre-slope(B), sealant(E) and vinyl pan liner(A).
- Use the VERSA(D) and existing drain bolts to “clamp” the pan liner(A) to the existing drain(I).
- Plug the drain and water test for several hours.
- Install final mortar slope(C) at approximately ¼” per foot. Allow the mortar to cure completely.
- Use a floor tile and 0.80” thick spacer (a U.S. Nickel) to gauge the final height of the Riser(G). The Construction Plug(F) represents the top of the finished Drain Cover. Once the Riser is set to height and position, pack deck mud or sand mix around the Riser(H).
- Install thinset, tile, and grout.

**IMPORTANT! Do not remove the Construction Plug until the grout has cured. The Construction Plug will shape the grout for easy Drain Cover installation and removal.**



#### VERSA is the most adaptable remodel / new construction shower drain available.

- Need a bonding flange drain for surface waterproofing? No Problem, VERSA does it.
- Have an existing drain, and want to convert to surface waterproofing? No Problem, VERSA does it.
- Need an ultra low profile drain for ADA or barrier free shower? No Problem, VERSA does it.
- Need a low profile drain for a laundry or utility room? No problem! VERSA does it.
- Want to use a vinyl pan liner and adjust the Riser after the mortar has set? No Problem. VERSA does it.

#### Contact Us:

Phone: 801-820-7200

Email: [Orders@ebbe-america.com](mailto:Orders@ebbe-america.com)

Web: [ebbe-america.com](http://ebbe-america.com)

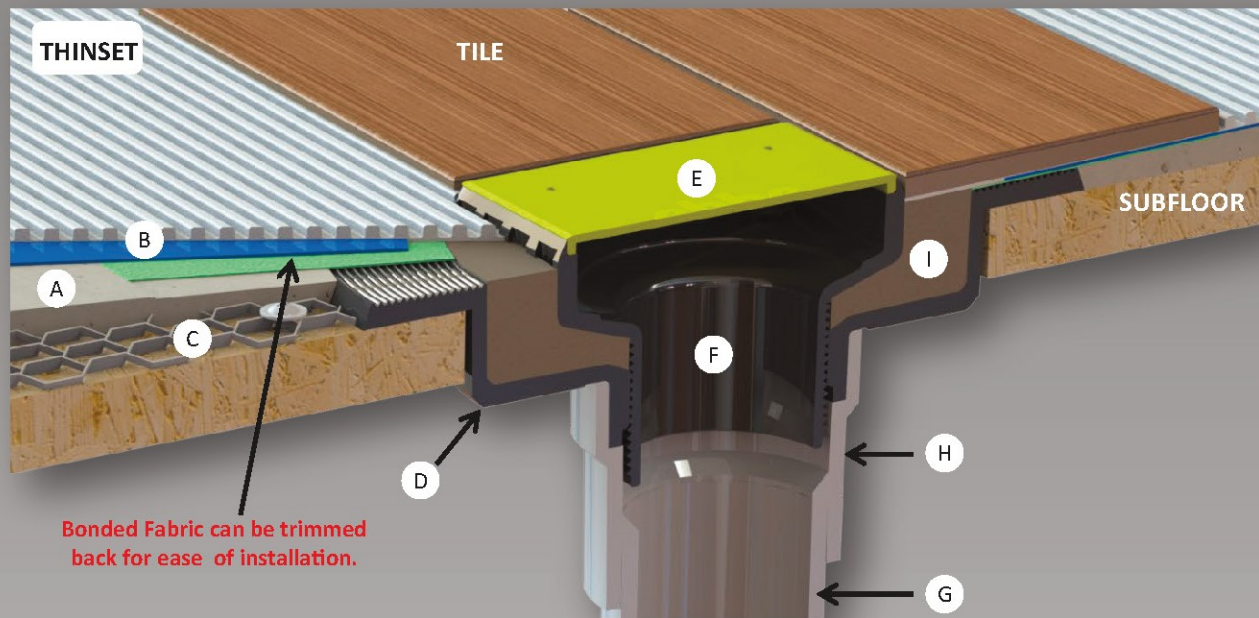


Ebbe America  
PO Box 160496  
Clearfield, UT 84016



## THIN BONDED MORTAR BED W/ SURFACE WATERPROOFING

- Ultra Low-profile installation used for ADA and barrier free applications
- Combine with Ebbe Subfloor Lowering Kit for ultimate versatility



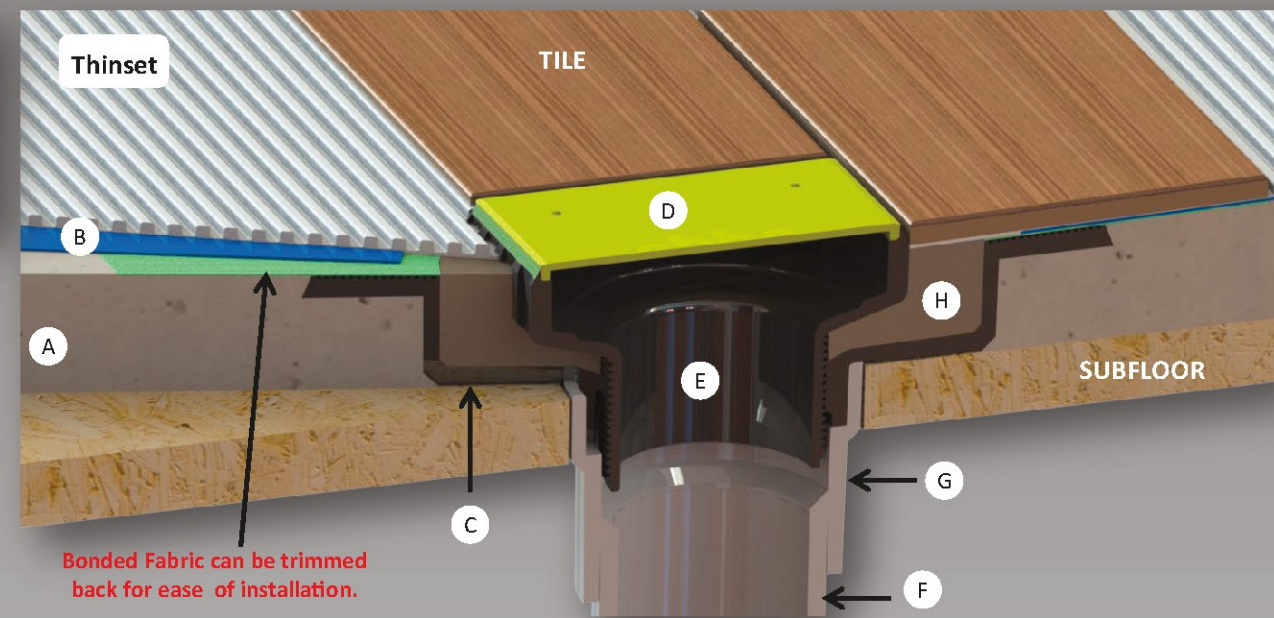
### INSTALLATION

- Cut a 6" round hole through the subfloor where the VERSA will be located.
- Glue the ABS / PVC Drain Hub(H) to the Versa Drain Body(D) using the appropriate solvent cement.
- Apply urethane sealant or high grade construction adhesive to the bottom flange of the VERSA so it bonds to the subfloor.
- Apply cement to the Drain Hub(H) and waste pipe(G) and push them together. The flange of the VERSA should sit flat on the subfloor.
- Install expanded metal lathe(C) on the shower floor area with lathe screws or staples.
- Apply thinset into the lathe, then top the thinset with deck mud, or sand mix(A) to create the final slope. Allow the mortar to dry. (Pre-Formed Foam Slopes can also be used)
- Install a fluid applied or sheet waterproofing membrane(B) over the final slope that extends over the flange of the VERSA .
- Use a tile and 0.80" (a U.S. Nickel) spacer to gauge the final height of the Riser(F). The Construction Plug(E) represents the top of the finished Drain Cover. Once the Riser is set to height, pack deck mud or sand mix around the Riser(I) .
- Install thinset, tile, and grout.

**IMPORTANT! Do not remove the Construction Plug until the grout has cured. The Construction Plug will shape the grout properly for easy Drain Cover installation and removal.**

## THICK MORTAR BED SURFACE WATERPROOFING

- For mortar bed and concrete applications with surface waterproofing
- Converts existing drain base to surface waterproofing



### INSTALLATION

- Cut a 3" round hole through the subfloor where the drain will be located.
- Glue the ABS / PVC Drain Hub(G) to the Versa Drain Body(C) using the appropriate solvent cement.
- Apply urethane sealant to the bottom of the VERSA Drain Body(C) so it bonds to the subfloor.
- Apply cement to the Drain Hub(G) and waste pipe(F) and push them together. The bottom of the VERSA should sit flat on the subfloor.
- Install final deck mud(A), or sand mix to create the final slope. Allow the mortar to cure completely.
- Install a fluid applied or sheet waterproofing membrane(B) over the final slope(A) extending over the flange of the VERSA .
- Use a floor tile and 0.80" spacer (a U.S. Nickel) to gauge the final height of the Riser(E). The Construction Plug(D) represents the top of the finished Drain Cover. Once the Riser is set to height and position, pack deck mud or sand mix around the Riser(H) .
- Install thinset, tile, and grout.

**IMPORTANT! Do not remove the Construction Plug until the grout has cured. The Construction Plug will shape the grout for easy Drain Cover installation and removal.**

**NOTE: If casting in concrete leave concrete 1" lower than VERSA flange to allow for final deck mud slope.**