



Hydro Ban[®] Preformed Niche

DS-033.0-0412



1. PRODUCT NAME

LATICRETE[®] Hydro Ban[®] Preformed Niche

2. MANUFACTURER

LATICRETE International, Inc.

1 LATICRETE Park North

Bethany, CT 06524-3423 USA

Telephone: +1.203.393.0010, ext. 235

Toll Free: 1.800.243.4788, ext. 235

Fax: +1.203.393.1684

Internet: www.laticrete.com

3. PRODUCT DESCRIPTION

LATICRETE Hydro Ban Preformed Niche is a component of the expanded LATICRETE Hydro Ban line of waterproofing products that allow for high quality rapid shower installations. LATICRETE Hydro Ban Preformed Niche is constructed of lightweight high-density expanded polystyrene with a waterproof finish and is ready to tile.

Materials: Saw or utility knife for cutting substrate layer out of niche location. LATICRETE Hydro Ban Adhesive & Sealant or LATICRETE Hydro Ban and LATICRETE Waterproofing Anti-Fracture Fabric.

Advantages

- Lightweight and durable. Easy to transport, handle and adjust during installation.
- Factory installed, code approved waterproofing meets ANSI A118.10 requirements.
- Ready to tile!
- Multiple design options and sizes available adding utility and value to the shower installation.
- Component of LATICRETE Lifetime Warranty[^] Single source responsibility.
- Works in conjunction LATICRETE tile and stone installation materials.

[^] See DS 230.99 for complete warranty information

Uses

- Interior and Exterior use.
- Shower stalls and tub surrounds.
- Industrial, commercial and residential.
- Decorative applications in walls

Suitable Substrates

- Wood or metal studded walls

Packaging

LATICRETE Hydro Ban Preformed Niche models

12"x12" (30 cm x 30 cm) Square

12" x 12" & 12" x 6" (30 cm x 30 cm & 30 cm x 15 cm) Wide Combo

8" x 12" & 8" x 6" (20 cm x 30 cm & 20 cm x 15 cm) Narrow Combo

12" x 20" (30 cm x 51 cm) Mega

8" x 8" (20 cm x 20 cm) Soap

Limitations

- Adhesives/mastics, mortars and grouts for ceramic tile, pavers, brick and stone are not replacements for waterproofing membranes. When a waterproofing membrane is required, use LATICRETE Hydro Ban.
- Note: Surfaces must be structurally sound, stable and rigid enough to support ceramic/stone tile, thin brick and similar finishes.
- Do not expose to rubber solvents or ketones.
- Must be covered with ceramic tile, stone, finish.

Cautions

Consult MSDS for more safety information.

- During cold weather, protect finished work until fully cured.
- For white and light-colored marbles, use a white LATICRETE Latex Portland Cement Thin Set Mortar.
- For green and moisture sensitive marble, agglomerates and resin backed tile and stone use LATAPOXY[®] 300 Adhesive (refer to Data Sheet 633.0).
- If the waterproof coating on the LATICRETE Hydro Ban Preformed Niche is punctured during installation or from job site construction activity re-coat the punctured area and 2" (50 mm) around the area with two coats of LATICRETE Hydro Ban, follow DS 663.0 and DS 663.5 for full instructions.

4. TECHNICAL DATA

Waterproofing membrane meets ANSI A118.10.

5. INSTALLATION

Installation to Existing 2" x 4" (50mm x 100mm) Wall (two layers of wall board)

See Detail ES-W244N Double Panel

- Determine desired height of niche and draw level line on substrate layer.
- Place LATICRETE® Hydro Ban® Prefomed Niche with the bottom flange of the niche centered on the level line.
- Trace exterior flanges.
- Cut along line and remove top substrate layer. If accessible, install 2" x 4" (50mm x 100mm) horizontal cross bracing to support LATICRETE Hydro Ban Prefomed Niche. See Dimensional Drawings for specific niche sizes to determine cross bracing location.
- Use LATICRETE Hydro Ban Adhesive & Sealant to adhere LATICRETE Hydro Ban Prefomed Niche to studs.
- Seal joints between LATICRETE Hydro Ban Prefomed Niche and backer board using LATICRETE Hydro Ban, if the seam is greater than 1/8" (3mm) then LATICRETE Waterproofing/Anti-fracture Fabric will need to be used with the LATICRETE Hydro Ban. Alternatively apply fiberglass tape to seam between LATICRETE Hydro Ban Prefomed Niche and backer board and cover with LATICRETE polymer fortified thin-set in the same manner as seams in backer board.
- Install tile according to Tile Council of North America (TCNA) guidelines and LATICRETE installation instructions using LATICRETE 254 Platinum or LATICRETE 255 MultiMax™.

INSTALLATION IN NEW CONSTRUCTION

See ES-W244N Single Panel

- Determine desired height of niche and mark 2" x 4" (50mm x 100mm) accordingly.
- Install horizontal cross bracing to support LATICRETE Hydro Ban Prefomed Niche. See Dimensional Drawings for specific niche sizes to determine cross bracing location.
- Use LATICRETE Hydro Ban Adhesive & Sealant to adhere LATICRETE Hydro Ban Prefomed Niche to studs.
- Next, install 1/2" (12mm) backer board on all walls and flush to niche 1/2" (12mm) flanges.
- Seal joints between LATICRETE Hydro Ban Prefomed Niche and backer board using LATICRETE Hydro Ban, if the seam is greater than 1/8" (3mm) then LATICRETE Water proofing/Anti-fracture Fabric will need to be used with the LATICRETE Hydro Ban. Alternatively apply fiberglass tape to seam between LATICRETE Hydro Ban Prefomed Niche and backer board and cover with polymer fortified thin-set in the same manner as seams in backer board.
- Install tile according to TCNA guidelines and LATICRETE installation instructions.

6. AVAILABILITY AND COST

Availability

LATICRETE and materials are available worldwide.

For Distributor information, call:

Toll Free: 1.800.243.4788

Telephone: +1.203.393.0010

For on-line Distributor information, visit LATICRETE at

www.laticrete.com.

Cost Contact a LATICRETE Distributor in your area.

7. WARRANTY

See 10. FILING SYSTEM

DS 230.13: LATICRETE Product Warranty

A component of

DS 025.0: LATICRETE 25 Year System Warranty

DS 230.99: LATICRETE Lifetime Warranty

8. MAINTENANCE

LATICRETE and LATAPOXY grouts require routine cleaning with a neutral pH soap and water. All other LATICRETE and LATAPOXY materials require no maintenance but installation performance and durability may depend on properly maintaining products supplied by other manufacturers.

9. TECHNICAL SERVICES

Technical assistance

Information is available by calling the LATICRETE Technical Service

Hotline (hours 8:00 AM to 5:30 PM EST):

Toll Free: 1.800.243.4788, ext. 235

Telephone: +1.203.393.0010, ext. 235

Fax: +1.203.393.1948

Technical and safety literature

To acquire technical and safety literature, please visit our website at www.laticrete.com.

10. FILING SYSTEM

Additional product information is available on our website at

www.laticrete.com. The following is a list of related documents:

DS 230.13: LATICRETE Product Warranty

DS 025.0: LATICRETE 25 Year System Warranty

DS 230.99: LATICRETE Lifetime Warranty

DS 663.0: LATICRETE Hydro Ban

DS 237.0: LATICRETE Waterproofing/Anti-fracture Fabric

DS 108.0: LATICRETE Hydro Ban Adhesive and Sealant

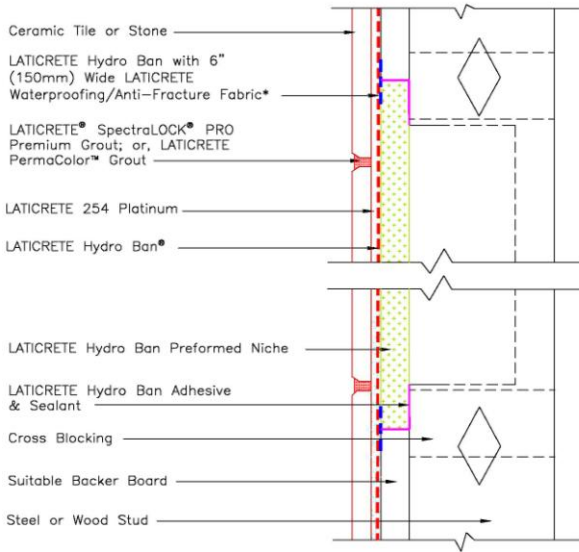
DS 080.0: LATICRETE 4-XLT

DS 677.0: LATICRETE 254 Platinum

DS 255.0: LATICRETE 255 MultiMax

DS 633.0: LATAPOXY 300 Adhesive

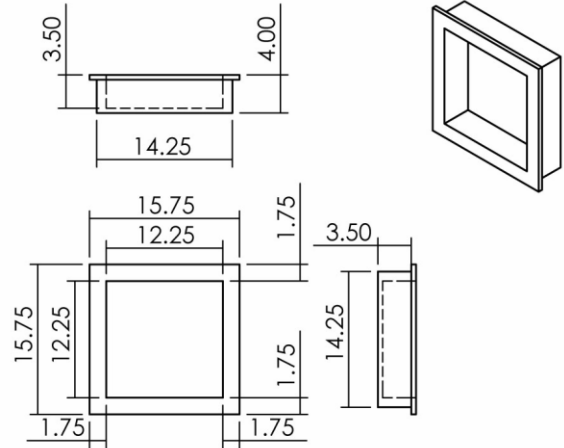
Drawing No. ES-W244N



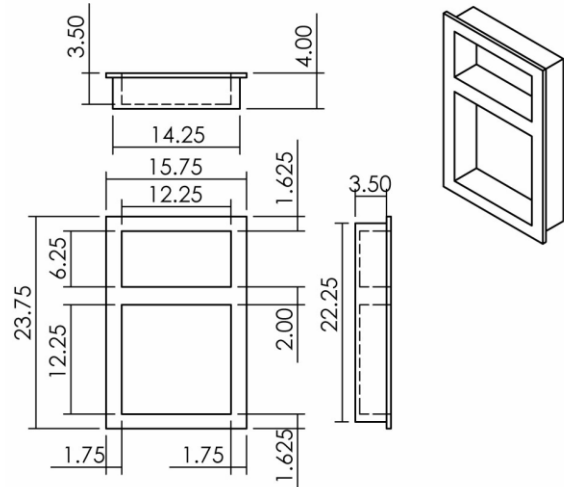
* Required if gap between cement backer board and LATICRETE Hydro Ban Niche is $\geq \frac{3}{8}$ " (3mm) - not required if gap is $< \frac{3}{8}$ " (3mm).

DIMENSIONAL DRAWINGS

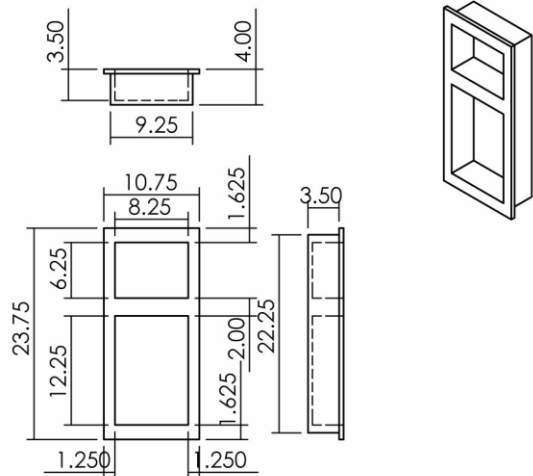
LATICRETE Hydro Ban Preformed Niche 12" x 12" Square



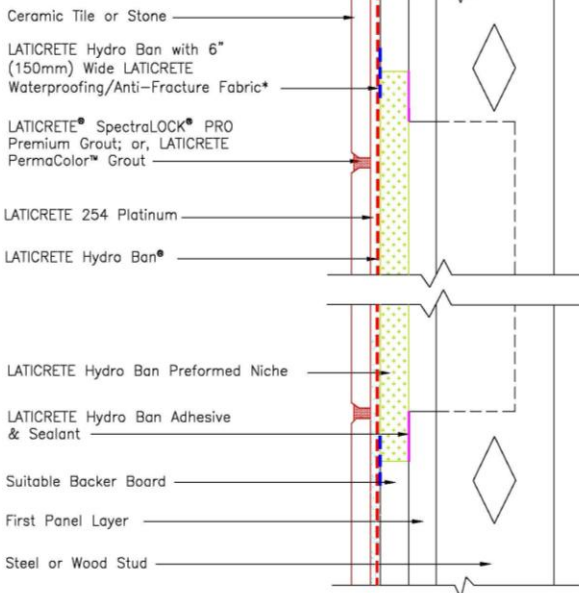
LATICRETE Hydro Ban Preformed Niche 12" x 12" and 12" x 6" Combo



LATICRETE Hydro Ban Preformed Niche 8" x 12" and 8" x 6" Narrow Combo

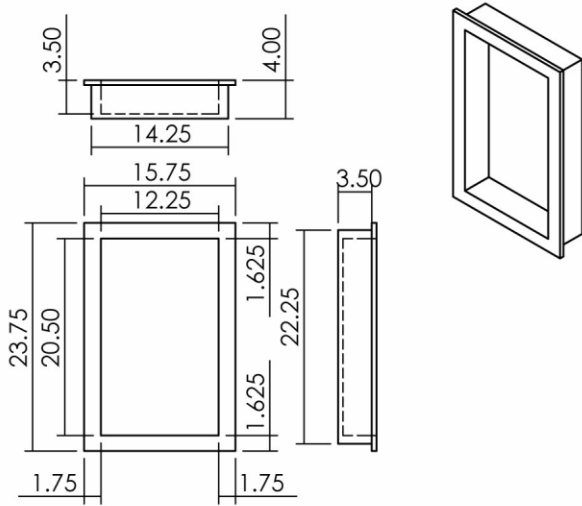


Drawing No. ES-W244N
Double Panel

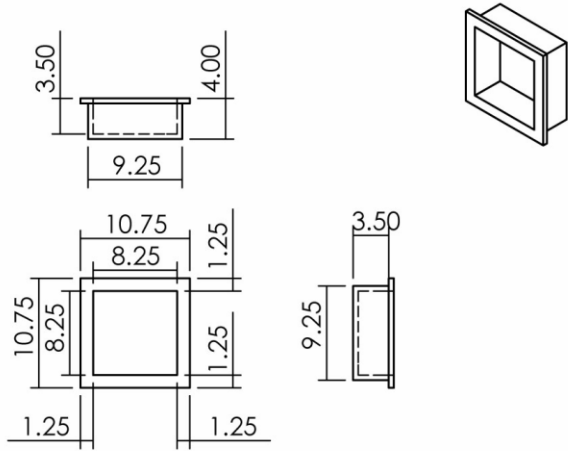


* Required if gap between cement backer board and LATICRETE Hydro Ban Niche is $\geq \frac{3}{8}$ " (3mm) - not required if gap is $< \frac{3}{8}$ " (3mm).

LATICRETE Hydro Ban Preformed Niche 12" x 20" Mega



LATICRETE Hydro Ban Preformed Niche 8" x 8" Soap



LATICRETE International, Inc.
 One LATICRETE Park North, Bethany, CT 06524-3423 USA • 1.800.243.4788 • +1.203.393.0010 • www.laticrete.com
 ©2012 LATICRETE International, Inc.
 All trademarks shown are the intellectual properties of their respective owners.